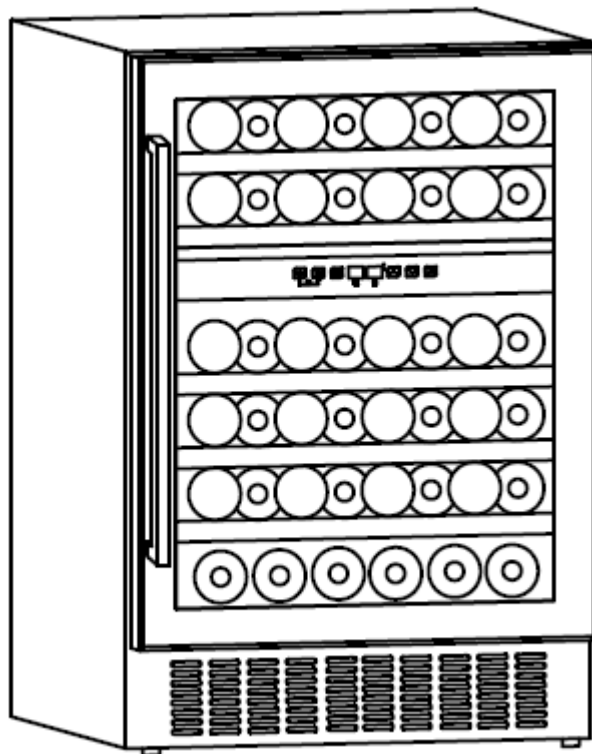


NORDMENDE

WC46IX

Wine Cooler User Manual



NOTE: Thank you for purchasing this NordMende wine cooler.

Our product will create the perfect temperature and humidity environment to store your collection of wine quietly and peacefully.

Content

Safety Instructions & Warnings.....	2-6
Installation.....	7
Description of the Appliance.....	8-9
Operation.....	10-12
Troubleshooting.....	13
Maintenance and Cleaning.....	14
Technical Parameters.....	15

Safety Instructions & Warnings

Your safety is of the utmost importance to our company. Please make sure that you read this instruction booklet before attempting to install or use the appliance. If you are unsure of any of the information contained in this booklet, please contact the NordMende Customer Service Department.



CAUTION

- This appliance can be used by children aged eight years and above and persons with reduced physical, sensory or mental capabilities, or who lack experience and/or knowledge, if they are supervised or have been instructed in the safe use and understand the dangers associated with its use.
- Children must not play with the appliance. Cleaning and user maintenance must not be carried out by children, unless they are supervised.
- Make sure children do not have unsupervised access to the appliance.

Intended Use

- This appliance is intended solely for storing wine and is intended for **HOUSEHOLD USE ONLY** and not for commercial or industrial use, as this will void your warranty.
- Use the appliance exclusively as described in this user manual. Any other use is deemed improper and may result in damage to property or even personal injury. The manufacturer accepts no liability for damage caused by improper use.



WARNING

- Keep ventilation openings on the appliance enclosure or in the built-in structure clear of obstruction.
- Do not use mechanical devices or any other means to accelerate the defrosting process, other than those recommended by the manufacturer.
- Do not damage the refrigerant circuit.
- Do not use electrical appliances inside the storage compartments of the appliance, unless they are recommended by the manufacturer.
- Make sure that the appliance is connected to the power supply in accordance with the rating label.
- Use an independent grounded socket with 10A or higher, do not connect to a transformer or socket with multiple outlets.
- Make sure that the socket is grounded properly and do not modify the power cord and plug.
- Connect the power plug with the socket firmly to avoid possible risk of fire.
- The plug should be within reach for easy disconnection after the appliance is positioned in the event of an accident.
- Do not store or burn gasoline or other flammables near the appliance to avoid possible risk of fire.
- Do not store flammables, explosives, acid and alkaline liquids etc. in the compartment of the appliance.
- Do not operate other appliances in the compartment.



WARNING

Child Safety

- Do not allow children to play inside the appliance in case of entrapment.
- Do not allow children to hang on the door, as the appliance may fall over.
- Do not allow children to reach into the compressor compartment or touch any metal components at the rear of the appliance, to avoid possible injury.

Keep away from water

- Do not spray water on the appliance or wash the appliance by pouring or filling with water, in case of invalid insulation and possible electric shock.

Be careful of freezing

- While the appliance is in operation do not touch the surface of the liner inside the compartment, especially with wet hands, this is to avoid freezer burns.

Do not open the door for long periods

- Opening the door for long periods of time can cause a significant increase in temperature inside the appliance.

Modification of the appliance is not allowed

- Do not modify or reconstruct the appliance by yourself as it may cause damages to the appliance.

Unplug the appliance under certain conditions

- Unplug the appliance before cleaning and maintenance.
- Unplug the appliance when a power cut has occurred.

Disposal of the appliance and packaging

- If you have sufficient space, we recommend keeping the packaging, at least during the warranty period. If the appliance needs to be sent out for repairs, only the original packaging will provide sufficient protection.
- Do not allow children to play with the packaging film. Children can become entangled in the packaging film or swallow small parts and suffocate.
- Prevent children from pulling small parts off the appliance or putting them in their mouths.



- Should you choose not to keep the packaging, please dispose of it in an environmentally friendly way.
- Please dispose of your NordMende wine cooler in accordance to local regulations regarding the disposal of appliances with flammable refrigerants and blowing gas.
- Before you scrap the appliance, please take the door off to prevent children from becoming trapped.



- Please ask your local authority for the designated WEEE disposal location in your area.



PROHIBITED

Do not damage the power cord

- Do not disconnect the appliance by pulling the power cord rather than pulling out the plug.
- Do not sit the appliance on the power cord or step on the cord intentionally.
- To avoid damage to the power cord, hold it up out of the way when moving the appliance.

When the power cord is damaged

- Do not use the appliance if the power cord is damaged, contact the NordMende Service Department and get it replaced immediately by our service agent or by a qualified electrician.
- If needed, extend the power cord with cord of 0.75mm² or bigger by qualified electrician.

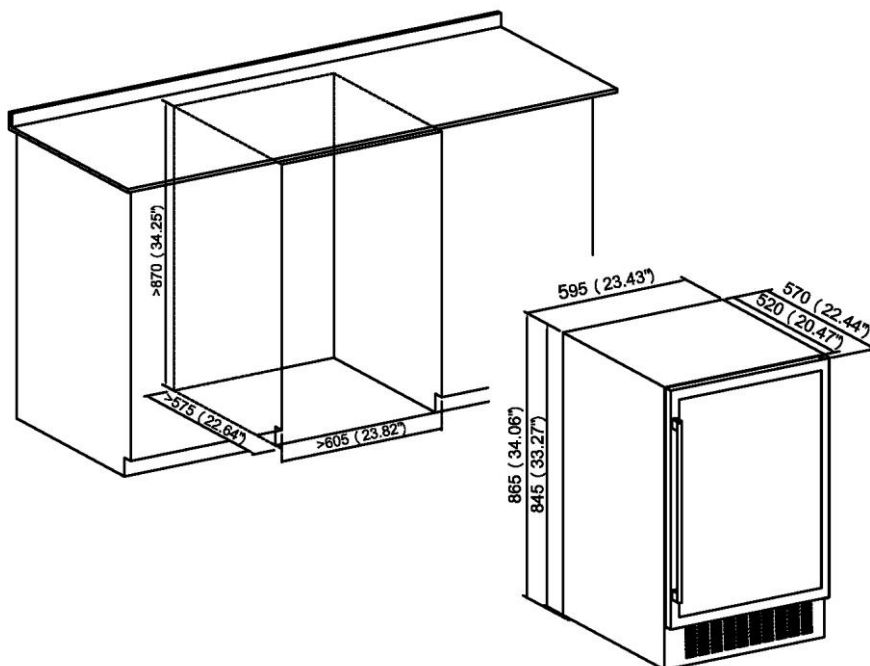
Installation

Unpackaging and positioning

- Do not use sharp or pointed objects to unpack this appliance.
- When unpacking the appliance, never damage the insulation material on the back of the appliance.
- Do not tilt the appliance more than 45° or lay it on its side.
- Allow the unit to stand up right for 2 hours before start-up. The lubricant will flow back into the compressor during this time.
- The appliance must be put on a flat, firm and dry floor or similar noncombustible pad, do not use the packaging foam pad.
- Do not put the appliance in a wet area.
- Do not use the appliance in a frozen area.
- The appliance may not operate properly if exposed to low ambient temperatures for extended periods of time. This can then lead to an increase in temperature inside the appliance. Lowest ambient temperature that the appliances can be stored is +5°C
- Do not use the appliance in an outdoor area.
- Avoid direct sunlight.
- Please ensure that a **5mm** space is allowed on either side of the appliance.
- If the appliance is being fitted up against a wall or with a 90° turn in a kitchen **please allow sufficient space for the door to open** 130°, allowing for the handle, in order for the shelves and the wine to be put in and out of the wine cooler comfortably.

This appliance is designed to be either built under counter or as a stand alone product on the floor.

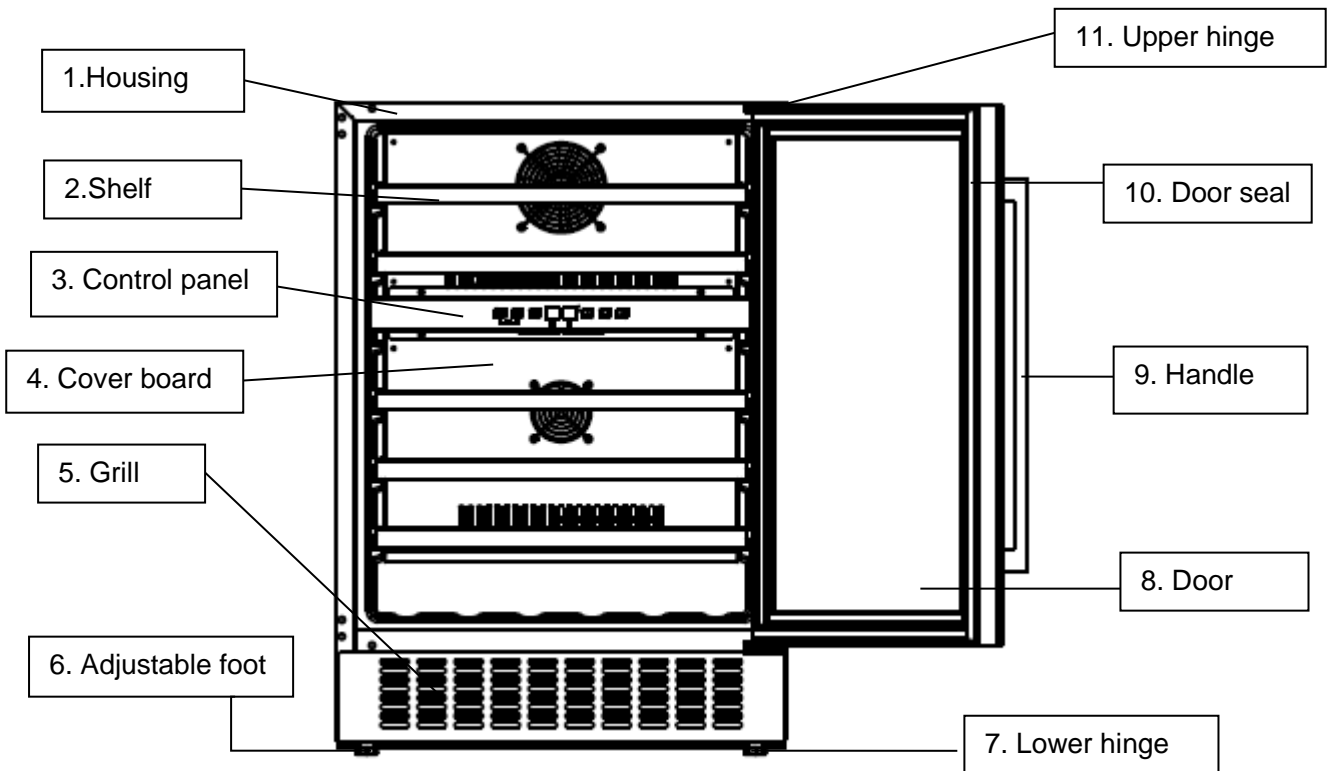
Dimensions for built under counter installation:



Wine bottles can be placed in the appliance after 1 hour of operation.

Description of the Appliance

Accessories & name



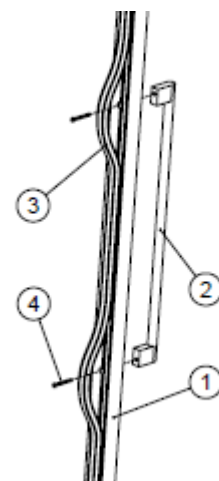
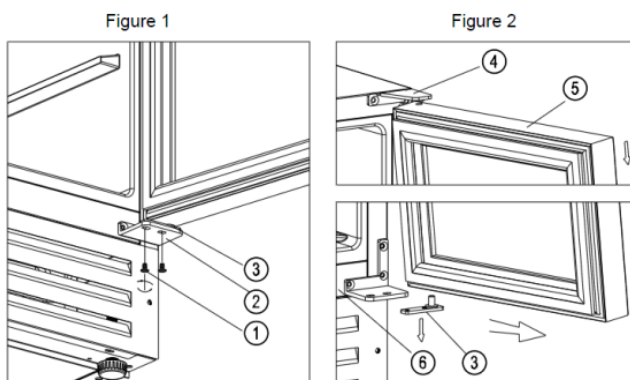
Installing the handle

The handle is delivered in a separated package with screws, inside the box.

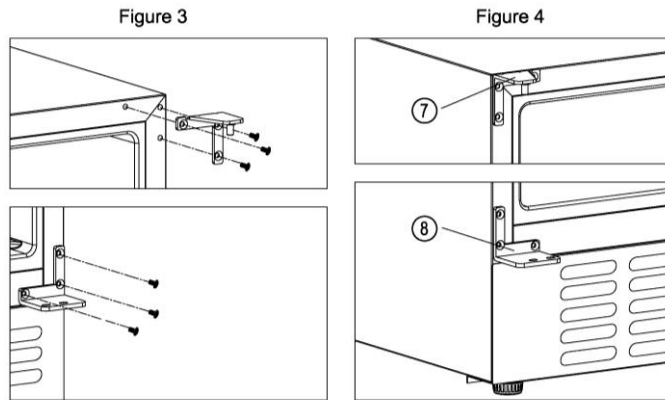
- ① Reveal two small holes on the door frame from the inner side by pulling the door seal to one side.
- ② Align the handle to the holes and insert the screws from the rear of the door.
- ③ Tighten the screws with a hand screw-driver.
- ④ Put the door seal back over to cover the screws.

Reversing the door

Our wine cooler is delivered with the door opening from left to right. To reverse the opening direction:



- Open the door to 90° and keep it steady.
- Unscrew the two screws ① from the right lower hinge ② [Figure 1].
- Pull the door ⑤ outwards slowly [follow the arrow direction in Figure 2] to remove it off the lower hinge ② and continue to pull the door ⑤ downwards slowly until it is also removed from the top right hinge ④, take off the lower hinge plate ③ from the door axis hole [Figure 2].



- Unscrew the top right hand hinge ④ and the right lower hinge ② from the cabinet ⑥. Keep them in a polybag for safe keeping, so that you have them in the future if you ever want to change back to a left hand opening door [Figure 3].
- Install the top left hand hinge ⑦ and left lower hinge ⑧ to the left hand side of the cabinet. (⑦ & ⑧ delivered in a separated polybag inside the packaging) [Figure 4].
- Turn the door ⑤ 180° upside down and fit the lower hinge plate ③ to the bottom door axis holes. Fit the top door axis hole to the top left hand hinge ⑦ and put the lower hinge plate ③ slowly on the left hand lower hinge ⑧ while keeping the door steady. Screw in the left lower hinge with the plate and the door reversal is complete!

Operation


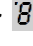
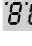
Cleaning the compartment

Before powering on your NordMende wine cooler, clean inside of the appliance and check that the drainage pipe has a good connection. (For details, please refer to the “maintenance and cleaning” section).

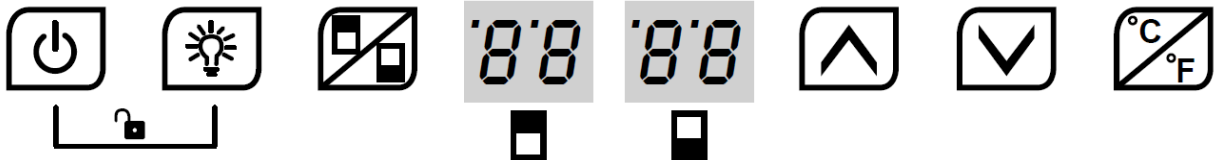
Level the appliance

Before powering on, level the appliance on a firm and dry floor for at least 1 hour.

Switching on for the first time

- Insert the mains plug into an easily accessible and properly installed socket (220–240 V~ /50 Hz).
- Press the power key  and a beep will sound.
- The temperature indicator   will show the current internal temperatures -
 - left for the upper zone.
 - right for the lower zone.
- Once powered on you will hear the compressor start to work and the appliance will begin cooling. It will be ready for use after 1 hour of cooling. If this does not happen you should check the power connection.

Control panel



All keys are invalid in lock mode. Please unlock first by pressing both the power key and light key at the same time for 3 seconds to unlock.

Key tones

Each time you press one of the keys you will hear a beep. This tells you that the appliance has registered your keypress.



Press the power key for 3 seconds, this powers down the appliance and it goes to stand-by mode. Keep pressing the power key again for 3 seconds to return back to normal operation.



Light

Press the light key to turn on or off the LED lights inside your wine cooler. In stand-by mode, this key is invalid.



Zone switch

Press the switch key to switch between the upper and lower zones for choosing which zone that you wish to set the temperature of. Press the key once, the LED display in the chosen zone will flash. Press the up and down key to set the temperature. Press the switch key again to switch to the other zone to set the second zone temperature.



UP

Press the up key once, the LED display will flash showing current set temperature. Continue pressing to adjust the set temperature, one press of the key increases the temperature by 1°C. The display will stop flashing after 5 seconds and the new set temperature will be saved. The LED display will then return to show the actual temperature inside the wine cooler.



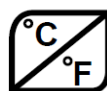
Down

Press the down key once, the LED display will flash showing current set temperature. Continue pressing to adjust the set temperature, one press of the key decreases the temperature by 1°C. The display will stop flashing after 5 seconds and the new set temperature will be saved. The LED display will then return to show the actual temperature inside the wine cooler.



Child Lock (Combination key)

1. **Lock:** Press both keys at the same time for 3 seconds, a beep will sound. The safety lock is now activated.
2. **Unlock:** Press both keys at the same time for 3 seconds, a beep will sound. The safety lock is now deactivated.



Fahrenheit/Celsius display interchange

Switch the temperature display between Fahrenheit and Celsius by pressing this key.

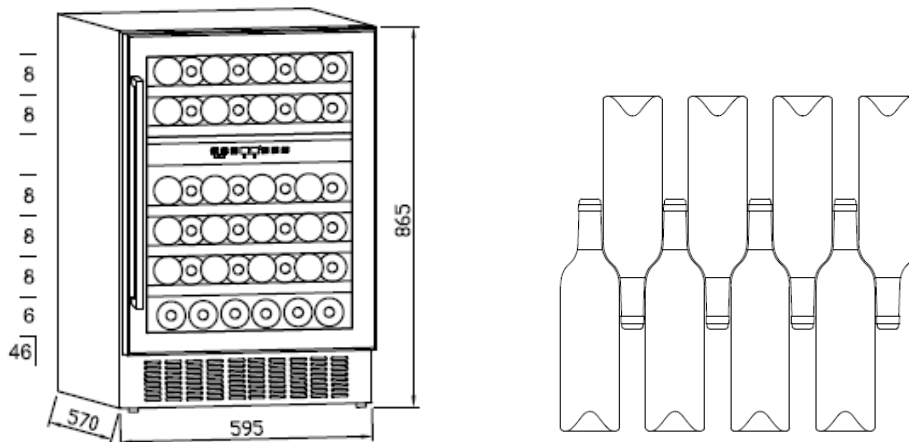


ATTENTION

1. For both upper and lower zones, the cooling temperature can be set from 5-22°C. The temperature of the lower zone can only be set equal to or higher than that of the upper zone.
2. Alarm sound: when a system malfunction occurs an alarm will sound, press any key on the control panel to cancel the alarm sound.
3. **Error codes:**
 - When there is a temperature sensor failure of the upper zone, one of the following error codes will display: E1 for an open circuit; E2 for a short circuit.
 - When there is a temperature sensor failure of the lower zone, one of the following error codes will display: E5 for an open circuit; E6 for a short circuit.
 - When there is a defrost sensor failure one of the following error codes will display: E3 for an open circuit; E4 for a short circuit.

Wine storage

- This wine cooler is equipped with sufficient independent shelves to allow your collection of wine to mature quietly and peacefully.
- Four lat wooden shelves loading capacity: 46 bottles. (designed with standard Bordeaux 750ml bottles in mind)



- Loading capacity will vary due to different bottle arrangements and bottle sizes.
- Each shelf is designed to put 1 or 2 layers of wine bottles. It is not recommended to put more than 2 layers of bottles on one shelf.
- Each shelf can be pulled out partly to store wine bottles easily.
- Open the door straight before pulling the shelves out.
- If the wine cooler will be empty for a long period of time, it is recommended to power it off, clean it carefully and open the door for ventilation.
- Below table is the recommended temperature for wine storing and drinking:

Red wine	15 -18°C
White wine	9 -14°C
Rose wine	10 -11°C
Champagne & sparkling wine	5 - 8°C

Troubleshooting

The appliance is making lots of noise?	<ul style="list-style-type: none"> • Please adjust the front feet to make the appliance level. • Please ensure that a 5mm space on either side of the appliance has been allowed for during installation.
Liquid flowing sound inside the cabinet?	<ul style="list-style-type: none"> • This is normal because of the refrigerant working inside the appliance.
The appliance is not starting?	<ul style="list-style-type: none"> • Make sure that the appliance is connected to the power supply properly. • Make sure to switch on the power. • The compressor will re-start 5 minutes after a power cut.
The compressor is running continuously?	<ul style="list-style-type: none"> • If no cold is being produced please call the NordMende Service Department.
The door does not seal tightly?	<ul style="list-style-type: none"> • After prolonged use, the door seal might get stiff and distorted partially. <ol style="list-style-type: none"> 1. Heat the door seal with hair dryer or a hot towel. 2. This should make the door seal soften and allow it to close more easily.
The appliance does not cool sufficiently?	<ul style="list-style-type: none"> • Please adjust temperature setting. • Keep the appliance away from sunlight or heat. • Please do not open the door frequently.
There is an unpleasant smell inside the cabinet?	<ul style="list-style-type: none"> • It is common for there to be a slight plastic smell for brand new appliances, it will disappear after a short time. • Clean the compartment and ventilate it for a few hours.
Condensation on the glass door?	<ul style="list-style-type: none"> • Please do not open the door frequently or for long periods of time. • Please do not set the temperature too low. • High ambient temperatures and humidity can cause condensation.
The light is not working?	<ul style="list-style-type: none"> • Check the power supply first. • Call the NordMende Service Department if the light is broken.

Maintenance and Cleaning

Cleaning

- Disconnect the appliance before cleaning.
- Clean the appliance with a soft cloth or sponge with water.
- Do not use organic solvents, alkaline detergent, boiling water, washing powder or acid liquid etc.
- Do not flood the compartment of the appliance.
- Clean surfaces that can come in contact with accessible drainage systems regularly.

The below items will damage the surface of wine cooler:

Power cut

Most power cuts could be resolved within a short time. To protect your wines during a power cut, avoid opening the door as much as possible. During very long power cuts, take the necessary measures to protect your wine.

Out of service for a long time

Remove all bottles from the appliance, switch off, defrost, clean, dry, and leave the door open to prevent mould developing within the appliance.



If the appliance is disconnected or if there is a power cut, you must wait at least five minutes before re-starting.

Moving the appliance

- Cut off the power supply and unplug the appliance.
- Remove all bottles from the appliance.
- When moving the appliance, do not lean the appliance over 45°.

Technical Parameters

Product model	WC46IX
Voltage/frequency	220-240V~/50Hz
Refrigerant/weight	R600a/35g
Effective volume	129L
Loading capacity	46 bottles
Net weight	43kg
Unit dimension (WxDxH)	595x570x865mm
Packing dimension (WxDxH)	660x625x925mm

Remarks:

1. The Net weight includes shelves and the unit dimension is without handle on the door.
2. The manufacturer reserves all the rights to change the above parameters without prior notice. Please refer to the nameplate of your appliance.
3. Loading capacity will vary in terms of the different ways bottles can be arranged or different bottle sizes (standard Bordeaux with 750ml is applied here).

PRODUCT FICHE		
1	Brand	NORDMENDE
2	Model	WC46IX
3	Power Voltage/Frequency	220-240V~/50Hz
4	Climate Class	SN/N/ST
5	Product Category	2
6	Energy Class	Class A
7	Energy Consumption	146 kWh/annum
8	Total Gross Volume (L)	145L
9	Total Net Volume (L)	129L
10	Refrigerant / Weight	R600a/35g
11	Loading Capacity	46 bottles
12	Noise Level	43dB(A)
13	Control Pattern	Touchpad electronic control inside cavity
14	Cooling Zone	Dual
15	Set Temperature Range	Both upper & lower zone:5~22°C
Remarks	Temperature of lower zone can only be set equal to or higher than that of upper zone.	
	Energy consumption “138” kWh per year, based on standard test results for 24 hours. Actual energy consumption will depend on how the appliance is used and where it is located.	
	This appliance is intended to be used at an ambient temperature between +10°C and +38°C.	

