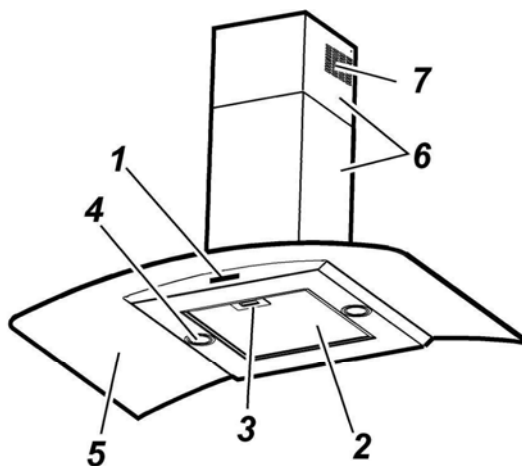
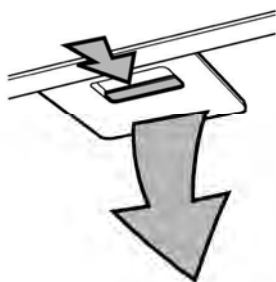


NORDMENDE™

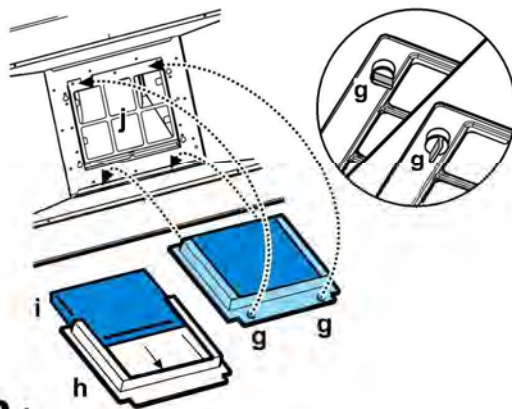
EN Instruction on mounting and use
DE Montage- und Gebrauchsanweisung



1



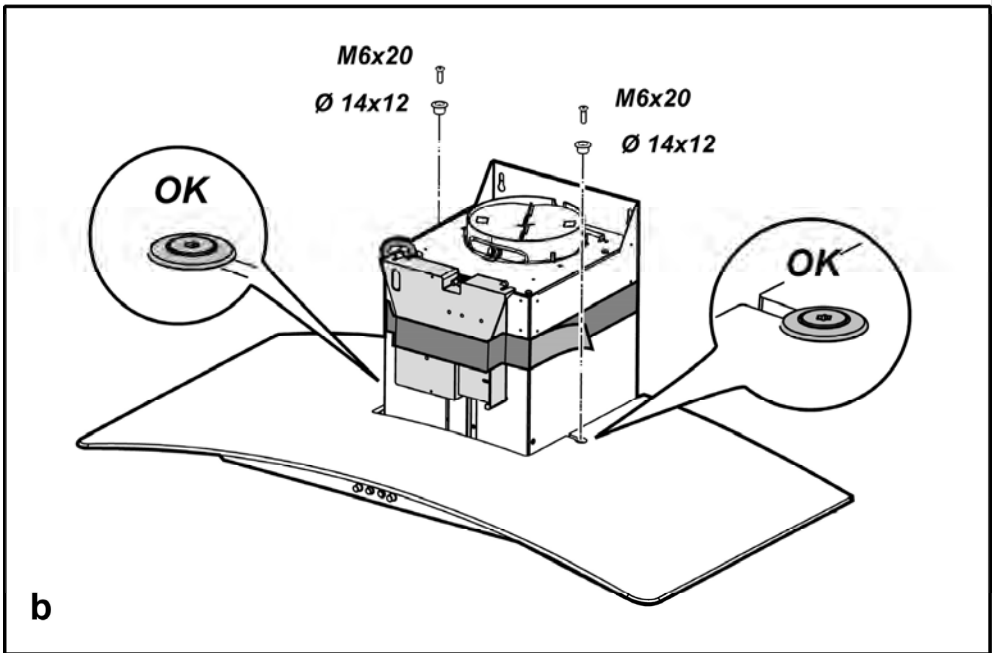
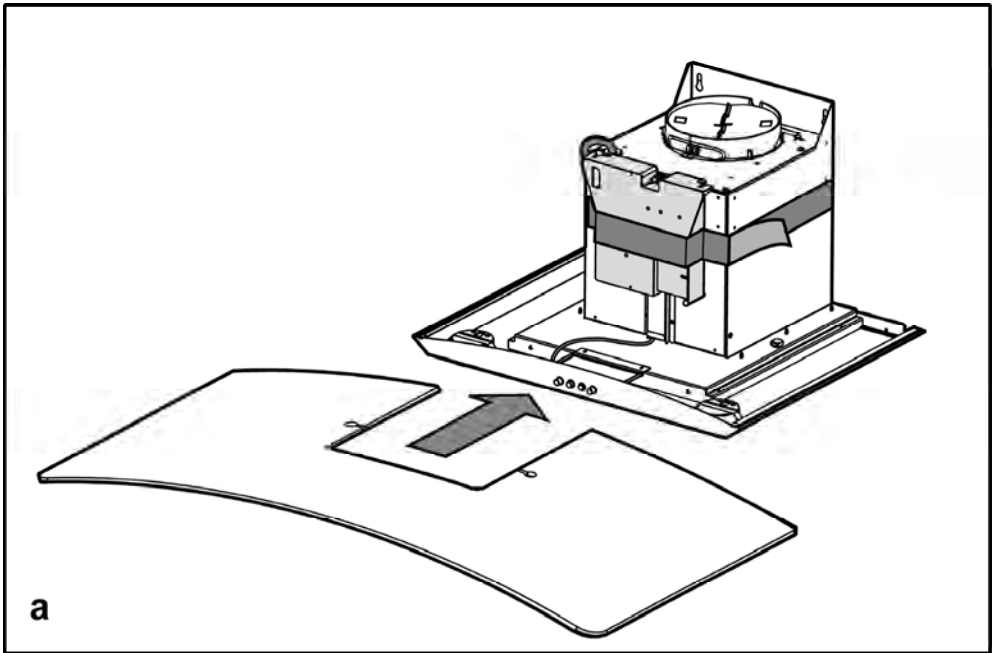
2

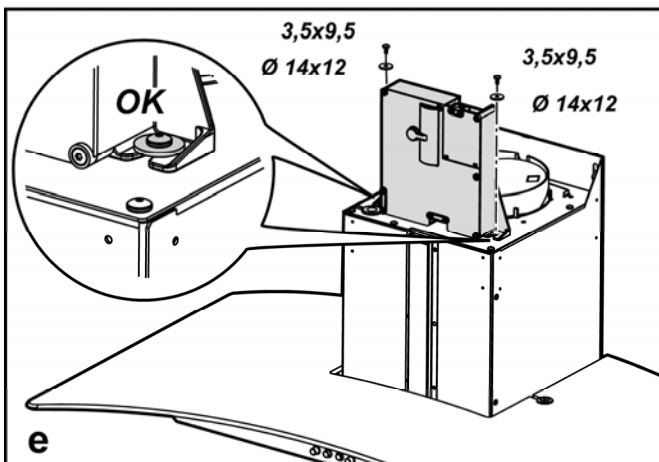
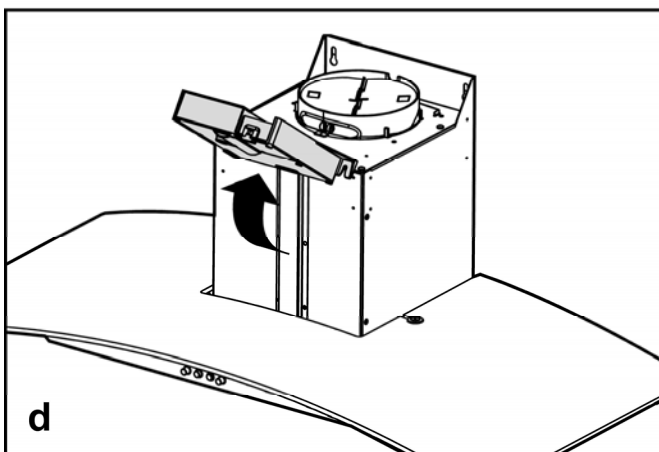
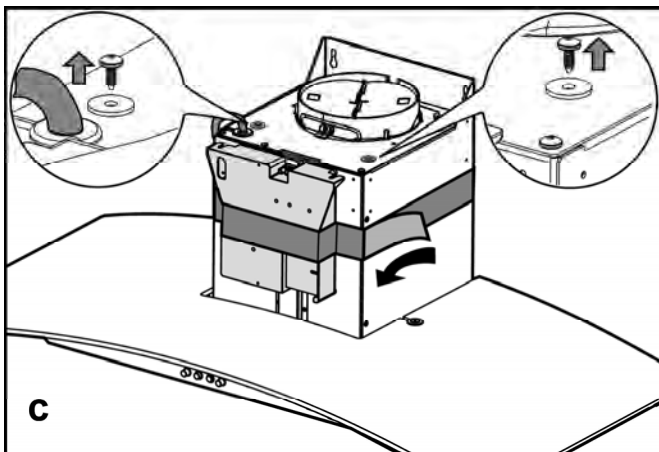


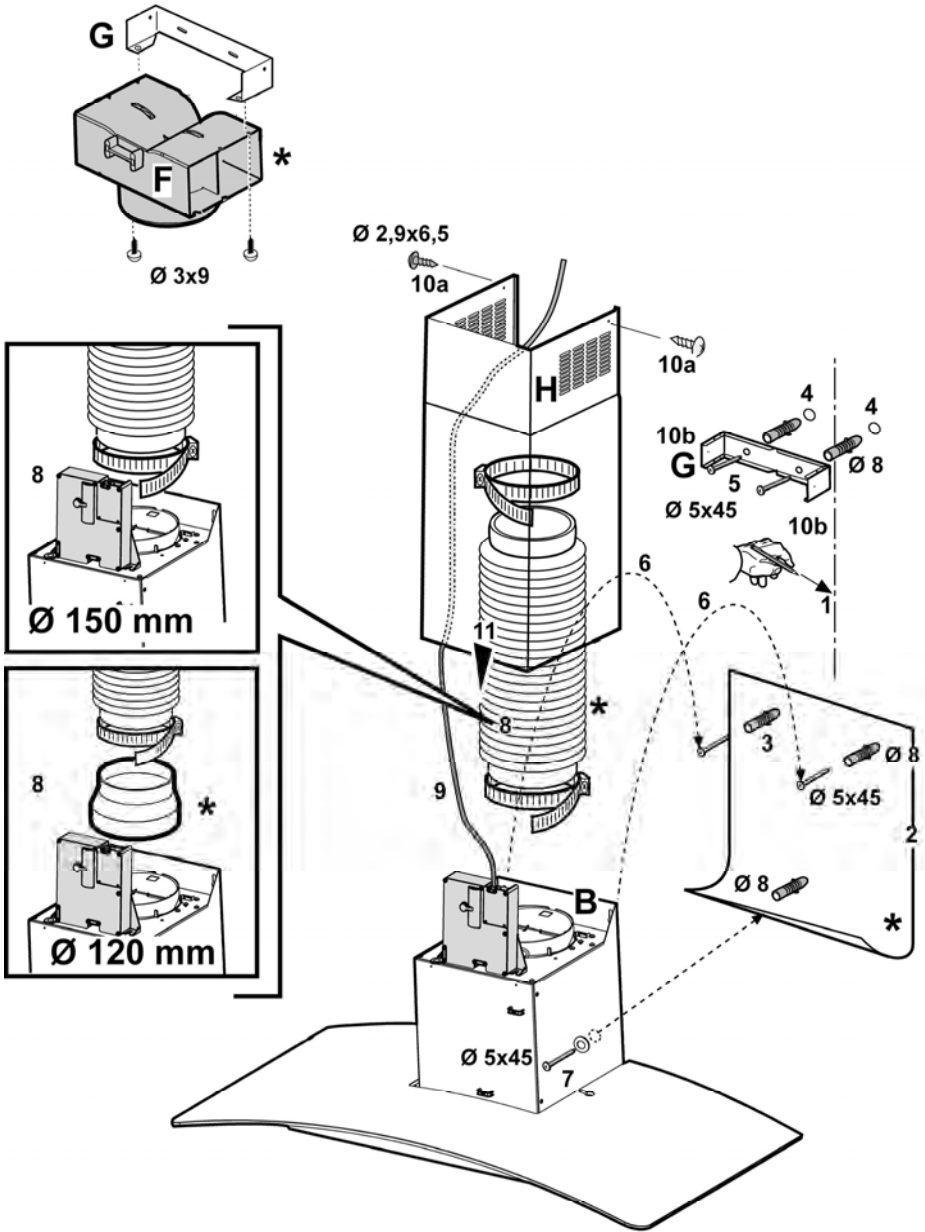
3*



4







EN - Instruction on mounting and use

Consult the designs in the front pages referenced in the text by alphabet letters.

Closely follow the instructions set out in this manual. All responsibility, for any eventual inconveniences, damages or fires caused by not complying with the instructions in this manual, is declined.

Note: the elements marked with the symbol “(*)” are optional accessories supplied only with some models or elements to purchase, not supplied.



Caution

WARNING! Do not connect the appliance to the mains until the installation is fully complete.

Before any cleaning or maintenance operation, disconnect the hood from the mains by removing the plug or disconnecting the home mains switch.

Always wear work gloves for all installation and maintenance operations.

The appliance is not intended for use by children or persons with impaired physical, sensorial or mental faculties, or if lacking in experience or know-how, unless they are under supervision or have been trained in the use of the appliance by a person responsible for their safety.

Children should be monitored to ensure that they do not play with the appliance.

Never use the hood without effectively mounted grating.!

The hood must NEVER be used as a support surface unless specifically indicated.

The premises must be sufficiently ventilated, when the kitchen hood is used together with other gas combustion devices or other fuels.

The suctioned air must not be conveyed into a conduit used for the disposal of the fumes generated by appliances that combust gases or other fuels.

The flaming of foods beneath the hood itself is severely prohibited.

The use of exposed flames is detrimental to the filters and may cause a fire risk, and must therefore be avoided in all circumstances.

Any frying must be done with care in order to make sure that the oil does not overheat and burst into flames.

As regards the technical and safety measures to be adopted for fume discharging it is important to closely follow the relations provided by the competent authorities.

The hood must be regularly cleaned on both the inside and outside (AT LEAST ONCE A MONTH, it is in any event necessary to proceed in accordance with the maintenance instructions provided in this manual)..

Failure to follow the instructions as concerns hood and filter cleaning will lead to the risk of fires.


Do not use or leave the hood without the lamp correctly mounted because of the possible risk of electric shocks.

We decline any responsibility for any problems, damage or fires caused to the appliance as the result of the non-observance of the instructions included in this manual.

This appliance is marked according to the European directive

2002/96/EC on Waste Electrical and Electronic Equipment (WEEE). By ensuring this product is disposed of correctly, you will help prevent potential negative consequences for the environment and human health, which could otherwise be caused by inappropriate waste handling of this product.



The symbol  on the product, or on the documents accompanying the product, indicates that this appliance may not be treated as household waste. Instead it should be taken to the appropriate collection point for the recycling of electrical and electronic equipment. Disposal must be carried out in accordance with local environmental regulations for waste disposal.

For more detailed information about treatment, recovery and recycling of this product, please contact your local council, your household waste disposal service or the shop where you purchased the product.

Use

The hood is designed to be used either for exhausting or filter version.

Ducting version

The hood is equipped with a top air outlet **B** for discharge of fumes to the outside (exhaust pipe and pipe fixing clamps not provided). Connect the hood and discharge holes on the walls with a diameter equivalent to the air outlet (connection flange).

Attention! If the hood is supplied with carbon filter, then it must be removed.

Filter version

Should it not be possible to discharge cooking fumes and vapour to the outside, the hood can be used in the **filter version**, fitting an activated carbon filter and the deflector **F** on the support (bracket) **G**, fumes and vapours are recycled through the top grille **H** by means of an exhaust pipe connected to the top air outlet **B** and the connection ring mounted on the deflector **F** (exhaust pipe and pipe fixing clamps not provided).

Attention! If the hood is not supplied with carbon filter, then it must be ordered and mounted.

The models with no suction motor only operate in ducting mode, and must be connected to an external suction device (not supplied).

The connecting instructions are supplied with the peripheral suction unit.

Installation

The minimum distance between the supporting surface for the cooking vessels on the hob and the lowest part of the range hood must be not less than 50cm from electric cookers and 65cm from gas or mixed cookers.

If the instructions for installation for the gas hob specify a greater distance, this must be adhered to.

Electrical connection

The mains power supply must correspond to the rating indicated on the plate situated inside the hood. If provided with a plug connect the hood to a socket in compliance with current regulations and positioned in an accessible area. If it not fitted with a plug (direct mains connection) or if the plug is not located in an accessible area apply a bi-polar switch in accordance with standards which assures the complete disconnection of the mains under conditions relating to over-current category III, in accordance with installation instructions.

Warning! Before re-connecting the hood circuit to the mains supply and checking the efficient function, always check that the mains cable is correctly assembled.

Mounting

Before beginning installation:

- Check that the product purchased is of a suitable size for the chosen installation area.
- To facilitate installation, remove the fat filters and the other parts allowed and described here, dismantle and mount it.

To remove see also the relative paragraphs.

- Remove the active carbon (*) filter/s if supplied (see also relative paragraph). This/these is/are to be mounted only if you want to use the hood in the filtering version.
- Check (for transport reasons) that there is no other supplied material inside the hood (e.g. packets with screws (*), guarantees (*), etc.), eventually removing them and keeping them.
- If possible, disconnect and move freestanding or slide-in range from cabinet opening to provide easier access to rear wall/ceiling. Otherwise put a thick, protective covering over countertop, cooktop or range to protect from damage and debris. Select a flat surface for assembling the unit. Cover that surface with a protective covering and place all canopy hood parts and hardware in it.
- Disconnect the hood during electrical connection, by turning the home mains switch off.
- In addition check whether near the installation area of the hood (in the area accessible also with the hood mounted) an electric socket is available and it is possible to connect a fumes discharge device to the outside (only suction version).
- Carry out all the masonry work necessary (e.g. installation of an electric socket and/or a hole for the passage of the discharge tube).

Expansion wall plugs are provided to secure the hood to most types of walls/ceilings. However, a qualified technician must verify suitability of the materials in accordance with the type of wall/ceiling. The wall/ceiling must be strong enough to take the weight of the hood. **Do not tile, grout or silicone this appliance to the wall. Surface mounting only.**

When the vapour catcher is disassembled, it must be fixed as shown in Fig. a,b.

The electric connection box must be assembled as shown in Fig. c,d,e.

Fig. 5

1. Drawing a line on the wall with a pencil up to the ceiling, corresponding to the centre line, will make the installation operations easier.
2. Apply the perforation diagram to the wall: the vertical centre line printed on the perforation diagram should correspond to the centre line drawn on the wall. In addition, the lower edge of the perforation diagram corresponds to the lower edge of the hood.
3. Make holes as indicated on the template, insert the wall dowels and screw 2 screws into the upper holes, leaving a space of about 1 cm between the head of the screw and the wall.

Note: Always make the holes indicated on the template. The upper 2 are for hooking the hood up while the lower holes (generally 1 central or more lateral) are for the definitive and safety fixing.

4. Apply flues support bracket „G“ to the wall touching the ceiling. Use the flues support bracket as a perforation diagram (the small slot in the support must coincide with the line previously drawn on the wall, if present), and mark two holes with a pencil. Make the holes and insert 2 dowels.
5. Fix the flues support bracket to the wall with 2 screws.
6. Hang the hood to the two upper screws (see installation phase 3).
7. Introduce and screw the screws (and washer(s)) up into the hole(s) for the definitive fixing (**COMPULSORY!!**). Then, having checked the setting of the hood, **TIGHTEN ALL THE upper and lower SCREWS.**

Note: the lower fixing points are visible removing the fats filters and they are at the sides and/or at the centre of the hood (after having removed the frame of the carbon filter, if present, in the latter case).

In any case, we recommend using the lateral holes, when available, to increase the stability of the hood.

8. Connect a tube (tube and bands for fixing not supplied, to be purchased) for discharging the fumes to the connection ring placed over the aspiration motor unit. The other end of the tube should be connected to a device for expelling fumes on the outside of the hood in the aspiration version. If you want to use the filtering version, fix deflector **F** to flues support bracket **G** and connect the other end of the tube to the connection ring placed on deflector **F**.
9. Connect the electricity.
10. Apply the flues and fix them above with 2 screws (**10a**) to flues support bracket „G“ (**10b**).
11. Slide the lower section of the flue down to cover the aspiration set until inserting it completely into the opposite housing over the hood. Remount the carbon filter frame and the fat/s filter/s and check the perfect functioning of the hood.

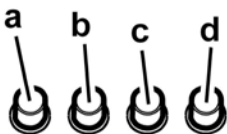
Description of the hood

Fig. 1

1. Control panel
2. Grease filter
3. Grease filter release handle
4. Halogen lamp
5. Vapour catcher
6. Telescopic chimney
7. Air outlet (used for filter version only)

Operation

Use the high suction speed in cases of concentrated kitchen vapours. It is recommended that the cooker hood suction is switched on for 5 minutes prior to cooking and to leave in operation during cooking and for another 15 minutes approximately after terminating cooking.



- a. ON/OFF light switch
- b. Speed 1/OFF switch
- c. 2-speed selection
- d. 3-speed selection

Maintenance

ATTENTION! Before performing any maintenance operation, isolate the hood from the electrical supply by switching off at the connector and removing the connector fuse.

Or if the appliance has been connected through a plug and socket, then the plug must be removed from the socket.

Cleaning

The cooker hood should be cleaned regularly (at least with the same frequency with which you carry out maintenance of the fat filters) internally and externally. Clean using the cloth dampened with neutral liquid detergent. Do not use abrasive products. **DO NOT USE ALCOHOL!**

WARNING: Failure to carry out the basic cleaning recommendations of the cooker hood and replacement of the filters may cause fire risks.

Therefore, we recommend observing these instructions.

The manufacturer declines all responsibility for any damage to the motor or any fire damage linked to inappropriate maintenance or failure to observe the above safety recommendations.

Grease filter

Traps cooking grease particles.

This must be cleaned once a month using non aggressive detergents, either by hand or in the dishwasher, which must be set to a low temperature and a short cycle. When washed in a dishwasher, the grease filter may discolour slightly, but this does not affect its filtering capacity.

To remove the grease filter, pull the spring release handle.

Fig. 2

Charcoal filter (filter version only)

It absorbs unpleasant odours caused by cooking.

The charcoal filter can be washed once every two months (or when the filter saturation indication system – if envisaged on the model in possession – indicates this necessity) using hot water and a suitable detergent, or in a dishwasher at 65°C (if the dishwasher is used, select the full cycle function and leave dishes out).

Eliminate excess water without damaging the filter, then remove the mattress located inside the plastic frame and put it in the oven for 10 minutes at 100° C to dry completely. Replace the mattress every 3 years and when the cloth is damaged.

Remove the filter holder frame by turning the knobs (g) 90° that affix the chimney to the cooker hood.

Insert the pad (i) of activated carbon into the frame (h) and fit the whole back into its housing (j).

Fig. 3

It is possible to use a traditional carbon filter, neither washable nor regenerable, to be replaced every 3 - 4 months. The filter holder frame of the carbon filter is welded together; the eventual frame supplied with the hood is not, therefore, to be used.

Insert it into its housing and fix it turning the 2 plastic knobs.

Replacing lamps

Disconnect the hood from the electricity.

Warning! Prior to touching the light bulbs ensure they are cooled down.

Fig. 4

1. Using a flat head screwdriver or equivalent tool, carefully pry loose the light cover.
2. Remove the damaged light and replace with a new 12 Volt, 20 Watt (Maximum) halogen light made for a G-4 base SUITABLE FOR USE IN OPEN LUMINAIRES. Follow package directions and do not touch new light with bare hands.
3. Reinstall the light cover. (it will snap shut).

If the lights do not work, make sure that the lamps are fitted properly into their housings before you call for technical assistance.

DE - Montage- und Gebrauchsanweisung

Bitte nehmen Sie auch die Abbildungen auf den ersten Beiden Seiten mit den alphabetischen Bezeichnungen, die im Text wiedergegeben sind, zur Hilfe.

Die Instruktionen, die in diesem Handbuch gegeben werden sind, müssen strikt eingehalten werden. Es wird keinerlei Haftung übernommen für mögliche Mängel, Schäden oder Brände der Küchenhaube, die auf die Nichtbeachtung der Vorschriften in diesem Handbuch zurückzuführen sind.

Hinweis: Die mit dem (*) gekennzeichneten Teile sind Zubehörteile, die nur bei einigen Modellen im Lieferumfang enthalten oder Teile, die nicht im Lieferumfang enthalten sind, und somit extra erworben werden müssen.



Warnung

Achtung! Das Gerät nicht an das Stromnetz anschließen, solange die Installation noch nicht abgeschlossen ist.

Vor Beginn sämtlicher Reinigungs- oder Wartungsarbeiten muss das Gerät durch Ziehen des Steckers oder Betätigen des Hauptschalters der Wohnung vom Stromnetz getrennt werden.

Bei allen Installations- und Instandhaltungsarbeiten immer Schutzhandschuhe tragen.

Kinder nicht mit dem Gerät spielen lassen.

Erwachsene und Kinder dürfen nie unbeaufsichtigt das Gerät betreiben,

– wenn sie körperlich oder geistig dazu nicht in der Lage sind, – oder wenn ihnen Wissen und Erfahrung fehlen, das Gerät richtig und sicher zu bedienen.

Die Dunstabzugshaube niemals ohne korrekt montiertes Gitter in Betrieb setzen!

Die Dunstabzugshaube darf NIEMALS als Abstellfläche verwendet werden, sofern dies nicht ausdrücklich angegeben wird.

Der Raum muss über eine hinreichende Belüftung verfügen, wenn die Dunstabzugshaube mit anderen gas- oder brennstoffbetriebenen Geräten gleichzeitig verwendet wird.

Bei gleichzeitigem Betrieb der Dunstabzugshaube im Abluftbetrieb und Feuerstätten darf im Aufstellraum der Feuerstätte der Unterdruck nicht größer als 4 Pa (4×10^{-5} bar) sein.

Die angesaugte Luft darf nicht in Rohre geleitet werden, die für die Ableitung der Abgase von gas- oder brennstoffbetriebenen Geräten genutzt werden.

Es ist strengstens verboten, unter der Haube mit offener Flamme zu kochen.

Eine offene Flamme beschädigt die Filter und kann Brände verursachen, daher ist dies in jedem Fall zu vermeiden.

Das Frittieren muss unter Aufsicht erfolgen, um zu vermeiden, dass das überhitzte Öl Feuer fängt.

In Bezug auf technische und Sicherheitsmaßnahmen für die Ableitung der Abluft sind die Vorschriften der zuständigen örtlichen Behörden strengstens einzuhalten.

Die Haube muss regelmäßig innen und außen gereinigt werden (MINDESTENS EINMAL IM MONAT, diesbezüglich sind in jedem Fall die ausdrücklichen Angaben in der

Wartungsanleitung dieses Handbuchs zu beachten).

Eine Nichtbeachtung der Vorschriften zur Reinigung der Haube sowie zur Auswechslung und Reinigung der Filter führt zu Brandgefahr.

Betreiben Sie die Dunstabzugshaube nur mit eingesetzten Lampen, um das Risiko eines Stromschlags zu vermeiden.


Es wird keinerlei Haftung übernommen für Fehler, Schäden oder Brände des Gerätes, die durch Nichteinhaltung der in diesem Handbuch aufgeführten Anweisungen verschuldet wurden.

In Übereinstimmung mit den Anforderungen der Europäischen Richtlinie 2002/96/EG über Elektro- und Elektronik-Altgeräte (WEEE) ist vorliegendes Gerät mit einer Markierung versehen.

Sie leisten einen positiven Beitrag für den Schutz der Umwelt und die Gesundheit des Menschen, wenn Sie dieses Gerät einer gesonderten Abfallsammlung zuführen. Im unsortierten Siedlungsmüll könnte ein solches Gerät durch unsachgemäße Entsorgung negative Konsequenzen nach sich ziehen.

Auf dem Produkt oder der beiliegenden



Produktdokumentation ist folgendes Symbol  einer durchgestrichenen Abfalltonne abgebildet. Es weist darauf hin, dass eine Entsorgung im normalen Haushaltsabfall nicht zulässig ist. Entsorgen Sie dieses Produkt im Recyclinghof mit einer getrennten Sammlung für Elektro- und Elektronikgeräte. Die Entsorgung muss gemäß den örtlichen Bestimmungen zur Abfallbeseitigung erfolgen.

Bitte wenden Sie sich an die zuständigen Behörden Ihrer Gemeindeverwaltung, an den lokalen Recyclinghof für Haushaltsmüll oder an den Händler, bei dem Sie dieses Gerät erworben haben, um weitere Informationen über Behandlung, Verwertung und Wiederverwendung dieses Produkts zu erhalten.

Betriebsart

Die Haube kann sowohl als Abluftgerät als auch als Umluftgerät eingesetzt werden.

Abluftbetrieb

Die Haube verfügt über einen oberen Luftaustritt **B** zum Ableiten der Küchengerüche nach außen (Abluftrohr und Rohrschellen werden nicht geliefert). Die Dunstabzugshaube an Abluftrohre und Wandabluftauslass mit dem selben Durchmesser wie der Luftausgang verbinden (Anschlussflansch).

Achtung! Sollte die Dunstabzugshaube mit einem Aktivkohlefilter versehen sein, so muß dieser entfernt werden.

Umluftbetrieb

Ist eine Ableitung von Rauch und Kochdämpfen ins Freie nicht möglich, kann die Haube mit **Umluftbetrieb** arbeiten; in diesem Fall muß ein Aktivkohlefilter bzw. ein Umleitgitter F an der Halterung (Bügel) G montiert werden; auf diese Weise

wird die Luft durch das obere Gitter H mit Hilfe eines Abluftrohres, das an den oberen Luftaustritt B angeschlossen ist, und eines Anschlussrings am Umleitgitter F (Ablufrohr und Rohrschellen sind nicht im Lieferumfang enthalten) rückgeführt.

Achtung! Sollte die Dunstabzugshaube nicht mit einem Aktivkohlefilter versehen sein, ist dieser zu bestellen und vor Inbetriebnahme des Gerätes einzusetzen.

Modelle ohne Saugmotor funktionieren nur mit Abluftbetrieb und müssen an eine externe Saugeneinheit (nicht im Lieferumfang enthalten) angeschlossen werden.

Die Anschlussleitungen liegen der externe Saugeneinheit bei.

Befestigung

Der Abstand zwischen der Abstellfläche auf dem Kochfeld und der Unterseite der Dunstabzugshaube darf 50cm im Fall von elektrischen Kochfeldern und 65cm im Fall von Gas- oder kombinierten Herden nicht unterschreiten.

Wenn die Installationsanweisungen des Gaskochgeräts einen größeren Abstand vorgeben, ist dieser zu berücksichtigen.



Elektrischer Anschluss

Die Netzspannung muss der Spannung entsprechen, die auf dem Betriebsdatenschild im Innern der Haube angegeben ist. Sofern die Haube einen Netzstecker hat, ist dieser an zugänglicher Stelle an eine den geltenden Vorschriften entsprechende Steckdose anzuschließen. Bei einer Haube ohne Stecker (direkter Netzanschluss) oder falls der Stecker nicht zugänglich ist, ist ein normgerechter zweipoliger Schalter anzubringen, der unter Umständen der Überspannungskategorie III entsprechend den Installationsregeln ein vollständiges Trennen vom Netz garantiert.

Hinweis! Bevor man den Stromkreis der Dunstabzugshaube an die Netzversorgung anschließt, um den richtigen Betrieb zu überprüfen, bitte immer kontrollieren dass die Netzversorgung ist richtig montiert worden ist.

Montage

Bevor Sie mit der Montage beginnen:

- Überprüfen Sie, dass das erstandene Produkt von der Größe her dem Bereich entspricht, in dem es angebracht werden soll.
- Um die Montage zu vereinfachen, wird empfohlen, die Fettfilter und andere Teile, die laut den vorliegenden Anweisungen ein- und ausgebaut werden können, zeitweise zu entfernen.
- Entfernen Sie den/die Aktivkohlefilter (*), falls vorhanden (siehe hierzu auch den entsprechenden Absatz "Wartung"). Der/die Aktivkohlefilter wird/werden nur wieder in die Dunstabzugshaube eingesetzt, wenn diese im Umluftbetrieb verwendet werden soll.
- Vergewissern Sie sich, dass sich im Inneren der Dunstabzugshaube (aus Transportgründen) kein im Lieferumfang enthaltene Material (zum Beispiel Tüchchen mit Schrauben (*), die Garantie (*), usw.) befindet; falls vorhanden, entfernen Sie dieses und heben Sie sie auf.
- Falls möglich, entfernen Sie die Möbel unter und um die

Dunstabzugshaube herum, um besseren Zugriff auf die hintere Wand/Decke zu haben, wo die Haube angebracht wird. Sonst legen Sie bitte eine Schutzabdeckung auf die Kochplatte, Arbeitsfläche, sowie die Möbel und Wände, um sie vor Schäden oder Schmutz zu schützen. Wählen Sie eine ebene Oberfläche, um die Einheit zusammenzubauen. Decken Sie diese Oberfläche mit einer Schutzfolie ab und legen Sie die Dunstabzugshaube sowie alle im Lieferumfang enthaltenen Teile darauf.

- Vor dem Anschluss des Gerätes ist die Sicherung der Steckdose auszuschalten
- Vergewissern Sie sich zudem, dass in der Nähe der Fläche, an der die Dunstabzugshaube angebracht werden soll (eine Fläche, die auch nach der Montage der Dunstabzugshaube weiter zugänglich sein muss), eine Steckdose vorhanden ist und es möglich ist, die Dunstabzugshaube an eine Vorrichtung zum Ableiten der Dämpfe ins Freie anzuschließen (nur Abluftbetrieb).
- Führen Sie alle notwendigen Arbeiten durch (z.B.: Einbau einer Steckdose und/oder Anbringen eines Loches für den Durchgang des Abluftrohres).

Die Abzugshaube ist mit Dübeln ausgestattet, die für die meisten Wände/Decken geeignet sind. Trotzdem sollte ein qualifizierter Techniker hinzugezogen werden, der entscheidet, ob die Materialien für die jeweilige Wand/Decke geeignet sind. Außerdem muß die Wand/Decke das Gewicht der Abzugshaube tragen können.

Wenn das Dunstbild ausmontiert mitgeliefert wird, muss man es, wie im Bild a,b gezeigt, befestigen.

Die elektrische Verbindungsschachtel muss man, wie in Bild c,d,e gezeigt, befestigen.

Bild 5

1. Mit einem Bleistift, eine Streife an die Wand zeichnen, bis zur Decke, entsprechend der Mittellinie, das wird die Installationsoperationen erleichtern.
2. Das Bohrschema an die Mauer daraufmachen: die senkrechte, auf das Bohrschema gedruckten Mittellinie muss der auf die Mauer gezeichneten Mittellinie entsprechen, die untere Seite des Bohrschema entspricht der unteren Seite der Dunstabzugshaube.
3. Wie auf der Radienschablone geschrieben, die Oese hereintun und zwei Schrauben in die oberen Loecher, Platz zwischen dem Kopf der Schraube und der Mauer von zirka ein Centimeter lassen.
Hinweis: alle die auf der Radienschablone geschriebenen Loecher immer erfüllen: die zwei obere sind dafür nützlich um den Dunstabzugshaube zu haengen waehrend die untere Loecher (im allgemeinen eins im Zentrum oder mehrere auf der Seite) sind dafür nützlich um eine endgueltige Befestigung und Sicherheit zu haben.
4. Den Kaminhaltersteigbuegel „G“ an die an der Decke haftende Wand alla daraufmachen, den Kaminhaltersteigbuegel benutzen, den Kaminhaltersteigbuegel als Loecherschema (wenn anwesend, die kleine Oese die aus dem Halter gezogen

worden ist, sie muss mit der, vorher an die Wand gezeichnete Linie abstimmen) benutzen und sie muessen mit dem Bleistift zwei Loecher zeichnen ,die Loecher machen, die zwei Einsatzstueck hereinfuegen.

5. Den Kaminhaltersteigbuegel an die Wand mit zwei Schrauben befestigen
6. Die Dunstabzugshaube an die zwei oberen Schrauben haengen (bitte die Installationphase **3 anschauen**).
7. Die Schrauben (und die Unterlegscheibe)Unterlegscheiben!) hereinfuegen und sie ins Loch oder in die Loecher befestigen um eine endgueltige Befestigung zu machen (**PFLICHT!!**) nach diesem, nachdem sie die Einrichtung der Dunstabzugshaube nachgeprueft haben, **ALLE DIE SCHRAUBEN BEFESTIGEN** , weder die untere noch die obere.

Hinweis: die untere Befestigungspunkte sind sichtbar wenn man die Fettfilter wegmacht und sie sind an den Seiten oder in der Mitte der Dunstabzugshaube positioniert (in diesem laetztem Fall , nachdem man das Filtergeruest aus der Kohle weggemacht hat , sollte es dabei sein).

Auf jedem Fall, wird es empfohlen die seitlichen Loecher, wenn sie zur Verfuegung sind , zu benutzen um die Stabilitaet der Dunstabzugshaube zu steigern.

8. Einen Schlauch verbinden (Schlauch und Streifbaender fuer die Befestigung die nicht mitgeliefert sind, sonder man muss sie selber kaufen) fuer das Entladen der Rauchen an den Verbindungsring der auf der Abzugsmotoreinheit positioniert ist .
Das andere Ende des Schlauchs muss an eine Rauchhauswerfvorrichtung verbunden werden in Richtung nach aussen wenn man die Dunstabzugshabe in Abzug Version benutzt. Wenn man die Dunstabzugshaube in Filterversion benutzen moechte, man muss an dem Kaminhaltersteigbuegel **G**, den Deflektor **F** befestigen und das andere Ende des Schlauchs and den auf den Deflektor **F** positionierten Verbindungsring befestigen.
9. Die elektrische Verbindung erfuellen.
10. Die Kaminen daraufunten und sie mit zwei Schrauben (**10a**) an den Kaminhaltersteigbuegel darauf „**G**“ (**10b**) befestigen .
11. Den unteren Teil des Kamins ruetchen lassen damit die Abzuggruppe ganz bedeckt wird bis diese Abzuggruppe in den richtigen Platz auf der Dunstabzugshaube eingefuegt wird. Das Kohlefiltergestell und den/die Fettfilter wieder einbauen und den ordnungsgemaessen Betrieb der Haube pruefen.

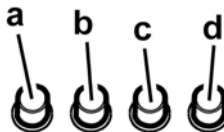
Beschreibung der Dunstabzugshaube

Bild 1

1. Bedienfeld
2. Fettfilter
3. Griff zum Aushaken des Fettfilters
4. Halogenlampe
5. Dunstschirm
6. Teleskopkamin
7. Luftaustritt (nur bei Umluftbetrieb)

Betrieb

Im Falle einer sehr intensiven Kuehendunstkonzentration die hoechste Saugstaerke einschalten. Es wird empfohlen, die Dunstabzugshaube schon funf Minuten vor Beginn des Kochvorganges einzuschalten und sie nach dessen Beendigung noch ungefaehr 15 Minuten weiterlaufen zu lassen.



- a. Lichtschalter ON/OFF.
- b. Schalter OFF/Geschwindigkeit 1.
- c. Geschwindigkeitsauswahl 2 .
- d. Selezione velocità 3 .

Wartung

Hinweis ! Vor jeder Reinigung und Pflege ist die Dunstabzugshaube durch Ziehen des Netzsteckers oder Ausschalten der Sicherung stromlos zu machen.

Reinigung

Die Dunstabzugshaube muss sowohl innen als auch auBen haeufig gereinigt werden (etwa in den selben Intervalle, wie die Wartung der Fettfilter). Zur Reinigung ein mit fluessigem Neutralreiniger getraenktem Tuch verwenden. Keine Produkte verwenden, die Scheuermittel enthalten.

KEINEN ALKOHOL VERWENDEN!

Achtung: Nichtbeachtung dieser Anweisungen zur Reinigung des Gerates und zum Wechsel bzw. zur Reinigung der Filter kann zum Brand fuehren. Diese Anweisungen sind unbedingt zu beachten!

Der Hersteller uebernimmt keine Haftung fuer irgendwelche Schaden am Motor oder aus Feuergruenden, die auf eine unsachgemaeBe Wartung oder Nichteinhaltung der oben angefuhrten Sicherheitsvorschriften zurueckzufuehren sind.

Fettfilter

Diese dienen dazu, die Fettpartikel, die beim Kochen frei werden, zu binden.

Dieser muss einmal monatlich gewaschen werden. Das kann mit einem milden Waschmittel von Hand, oder in der Spuemaschine bei niedriger Temperatur und Kurzspuलगang erfolgen. Der Metallfettfilter kann bei der Reinigung in der Spuemaschine abfaerben, was seine Filtermerkmale jedoch in keiner Weise beeintraehtigt.

Zwecks Demontage der Fettfilter den Aushakgriff ziehen.

Bild 2

Aktivkohlefilter (nur bei der Umluftversion)

Dieser Filter bindet die unangenehmen Gerüche, die beim Kochen entstehen.

Der Aktivkohlefilter wird alle zwei Monate (oder wenn das Sättigungsanzeigesystem der Filter – sofern bei dem jeweiligen Modell vorgesehen – dies anzeigt) in warmem Wasser und geeigneten Waschmitteln oder in der Spülmaschine bei 65°C gewaschen (in diesem Fall den vollständigen Spülzyklus – ohne weiteres Geschirr - einschalten).

Das überschüssige Wasser entfernen, ohne dabei den Filter zu beschädigen; danach das Vlies aus dem Plastikrahmen entfernen und dieses bei 100° für 10 Minuten in den Ofen legen, um es vollständig zu trocknen. Das Vlies muss alle 3 Jahre ausgewechselt werden und weiterhin jedes Mal dann, wenn es beschädigt ist.

Das Gestell, das den Filter trägt, abnehmen, dafür die Knäufe (g), die es an der Haube befestigen, um 90° drehen. Das Kohlekissen (i) in den Rahmen (h) schieben und alles wieder an entsprechender Stelle (j) montieren.

Bild 3

Es besteht die Möglichkeit einen traditionellen Kohlefilter zu benutzen, welcher weder gewaschen noch regeneriert werden kann. Dieser Kohlefilter muss alle 3 bis 4 Monate gewechselt werden.

Das Kohlefiltergestell und der Filter sind zusammengeschweißt, das eventuell mit der Haube mitgelieferte Gestell ist daher nicht zu verwenden.

Der Kohlefilter wird in die Dunstabzugshaube eingesetzt und mit den vorgesehenen 2 Plastikschrauben befestigt.

Ersetzen der Lämpchen

Das Gerät von Stromnetz abschalten.

Hinweis: Vor Berühren der Lampen sich vergewissern, dass sie abgekühlt sind.

Bild 4

1. Die Lampenabdeckung mit Hilfe eines kleinen Schlitzschraubenziehers oder ähnlichem entfernen.
2. Die defekte Lampe auswechseln.
Ausschließlich Halogenlampen zu m12V -20W max - G4 verwenden und darauf achten, diese nicht mit den Händen zu berühren.
3. Die Lampenabdeckung wieder schließen (Schnappverschluss).

Sollte die Beleuchtung nicht funktionieren, erst kontrollieren, ob die Lampen einwandfrei eingedreht sind, ehe man sich an den Kundendienst wendet.

