

# **NORDMENDE™**

## **FREEZER**

Instruction booklet

## **STAND-GEFRIERSCHRANK**

Bedienungsanleitung

**RUF146WHA+**



# Index

<b>BEFORE USING THE APPLIANCE .....</b>	<b>2</b>
Safety Instructions .....	2
Recommendations .....	3
Installation and Switching On The Appliance .....	4
Before Switching On .....	4
<b>THE VARIOUS FUNCTION AND POSSIBILITIES .....</b>	<b>5</b>
Thermostat Setting .....	5
Ice Tray .....	6
<b>ARRANGING FOOD IN THE APPLIANCE .....</b>	<b>6</b>
<b>CLEANING AND MAINTENANCE .....</b>	<b>7</b>
Defrosting the Freezer compartment .....	8
<b>TRANSPORTATION AND CHANGING OF INSTALLATION POSITION .....</b>	<b>9</b>
Changing of Door Opening Direction .....	9
<b>BEFORE CALLING YOUR AFTER SALES SERVICE .....</b>	<b>9</b>
<b>THE PARTS OF THE APPLIANCE AND THE COMPARTMENT .....</b>	<b>11</b>

## **PART- 1. BEFORE USING THE APPLIANCE**

### **Safety Instructions**

- If the model contains R600a-see name plate under refrigerant (the coolant isobutene), natural gas that, is very environmentally friendly but also combustible. When transporting and installing the unit care must be taken to ensure that none of the refrigeration circuit components become damaged. In the event of damage avoid naked flames or ignition sources and ventilate the room in which the unit is placed for a few minutes.

**Warning:** *Keep ventilation openings in appliance enclosure or in structure for building in, clear of obstruction.*

- Do not use mechanical devices or other artificial means to accelerate the defrosting process.
- Do not use electrical appliances in the refrigerator or freezer compartment of the appliance.
- If this appliance is to replace an old refrigerator with a lock; break or remove the lock as a safety measure before storing it, to protect children while playing might lock themselves inside.
- Old refrigerators and freezers contain insulation gases and refrigerant, which must be disposed of properly. Entrust the disposal of a scrap unit categorically to the competence of your local waste disposal service and contact your local authority or your dealer if you have any questions. Please ensure that the pipe of work of your refrigerating unit does not get damaged prior to being picked-up by the relevant waste disposal service.

### **Important note:**

Please read this booklet before installing and switching on this appliance. The manufacturer assumes no responsibility for incorrect installation and usage as described in this booklet.

### **Conformity Information**

- Tropical Class is defined for the environment temperatures between 16°C and 43°C in accordance with the TS EN ISO 15502 Standards.
- The appliance is designed in compliance with the EN15502, IEC60335-1 / IEC60335-2-24, 2004/108/EC standards.
- The appliance complies with the “EEE” Regulation.

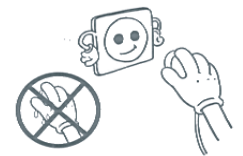
## Recommendations

**Warning:** Do not use mechanical devices or other means to accelerate the defrosting process, other than those recommended by the manufacturer. Do not use electrical appliances inside the food storage compartments of the appliance, unless they are of the type recommended by the manufacturer. Keep ventilation openings, in the appliance enclosure or in the built-in structure, clear of obstruction. Do not damage the refrigerant circuit.

- Do not use adapters or shunts which could cause overheating or burning.
- Do not plug old, warped power supply cables.
- Do not twist and bend the cables.

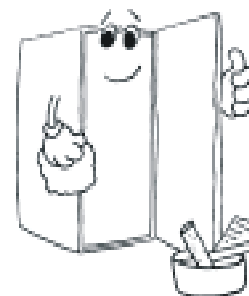


- Do not allow children to play with the appliance. Children must NEVER sit on drawers/shelves or hang from the door.
- Do not use sharp metal objects for removing ice on the freezer compartment; they could puncture the refrigerator circuit and cause unrepairable damage to the unit. Use the plastic scraper provided.
- Do not plug the power supply with wet hands.
- Do not place containers (glass bottles or tin containers) of liquids into the freezer especially gassy liquids as they could cause the container to burst during freezing.
- Bottles that contain a high percentage of alcohol must be sealed well and placed vertically in the freezer.
- Do not touch the cooling surfaces, especially with wet hands as you could be burnt or hurt.
- Do not eat ice, which have just been removed from the freezer.
- The appliance is not intended for use by people (including children) with reduced physical, sensory or mental capabilities, or lack of experience and knowledge, unless they have been given supervision or instruction concerning use of the appliance by a person responsible for their safety. Children should be supervised to ensure that they don't play with the appliance.
- If the supply cord is damaged it must be replaced by the manufacturer or service agent or similarly qualified people in order to avoid a hazard.
- *The plug shall be accessible after installation of the appliance.*



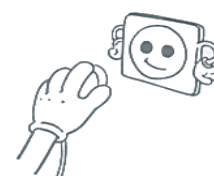
## Installation and Switching On The Appliance

- This appliance is connecting to 220-240V and 50 Hz.
- You can offer help from the service to install and switching on the appliance.
- Before making the connection to the power supply, ensure that the voltage on the name plate corresponds to the voltage of electrical system in your home.
- Insert the plug into a socket with an efficient ground connection. If the socket has no ground contact or the plug does not match, we suggest you to call an authorised electrician for assistance.
- The plug should be accessible after the appliance is positioned.
- Manufacturer is not responsible for failure to complete the ground connection as described in this booklet.
- Do not place the appliance in direct sunlight.
- Do not use in open air and shall not be exposed to the rain.
- Place the appliance far from heat sources and in a well-ventilated position. The freezer should be at least 50 cm from radiators, gas or coal stoves and 5 cm far from electrical stoves.
- Keep the top free for at least 15 cm.
- Do not place heavy and lots of things on the appliance.
- If the appliance is installed next to another freezer, observe a minimum distance of 2 cm to prevent condensation.
- Fit the plastic wall spacers to the condenser at the back of the refrigerator in order to prevent leaning to the wall for good performance.
- The appliance must be stand firmly and level on the floor Use the two front levelling-feet to compensate for an even floor.
- The outside of the appliance and the accessories inside should be cleaned with a solution of water and liquid soap; the inside of the appliance with sodium bicarbonate dissolved in lukewarm water. After drying replace all the accessories.



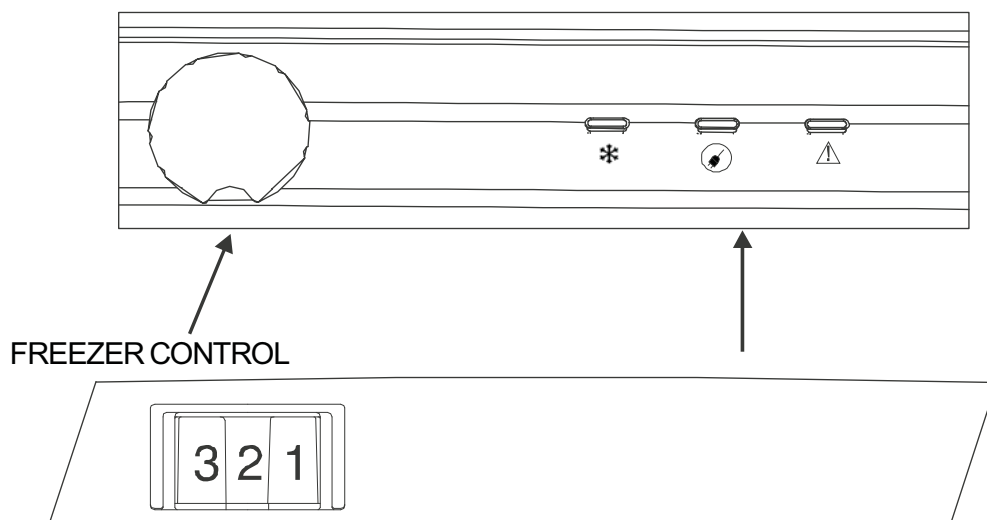
## Before Switching On

- Wait 3 hours before plugging the appliance in to the main power to ensure proper performance.
- There can be an odour when you first switch on the appliance. It will disappear after the appliance starts to cool.



## PART- 2. THE VARIOUS FUNCTION AND POSSIBILITIES

### Thermostat Setting



Freezer thermostat automatically regulates the inside temperature of the compartments. By rotating the knob from position “1” to “5”, colder temperatures can be obtained.

#### Freezer Thermostat Setting;

- 0** : This position shows thermostat is closed and no cooling is available.
- 1-2:** For short-term storage of food in the freezer compartment, you can set the knob between minimum and medium position.
- 3-4:** For long-term storage of food in the freezer compartment, you can set knob medium position.
- 5** : “SUPER FREEZING” For freezing the fresh food. The appliance will work longer. So after you get the cold condition you must position to previous position.

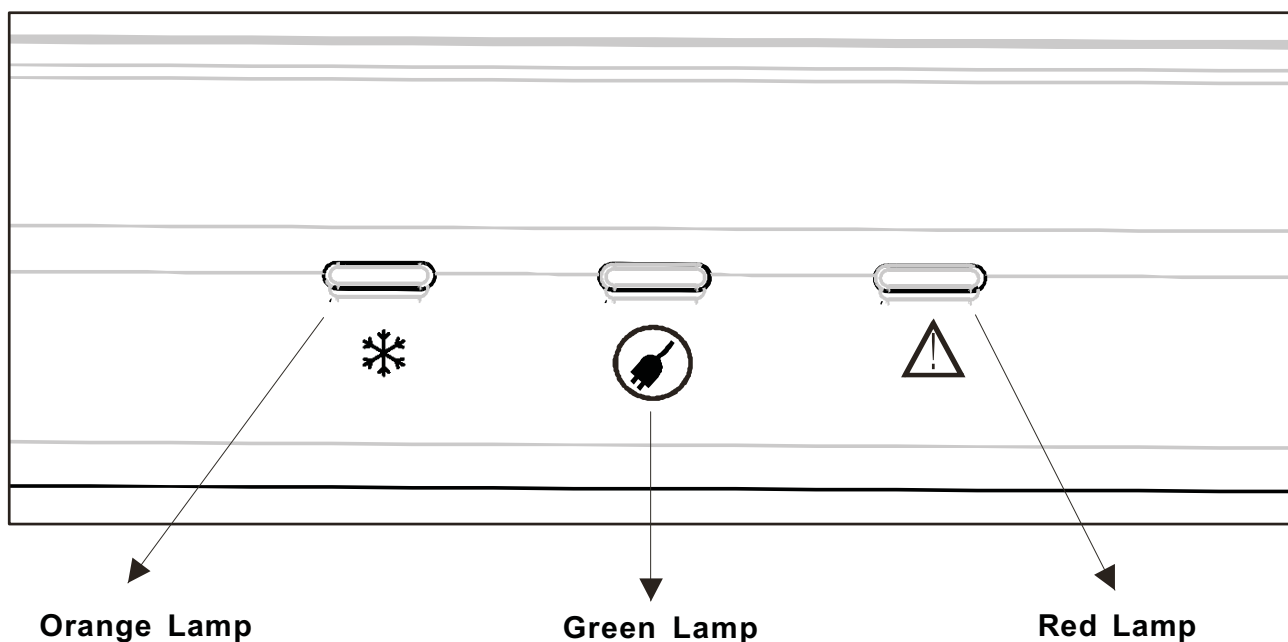
**Note that;** the ambient temperature, temperature of the freshly stored food and how often the door is opened, affects the temperature in the freezer compartment. If required, change the temperature setting.

#### If your fridge is not cooling enough;

Your fridge is designed to operate in the ambient temperature intervals stated in the standards, according to the climate class stated in the information label. We do not recommend operating your fridge out of stated temperatures value limits in terms of cooling effectiveness.

Climate Class	Ambient Temperature (°C)
T	Between 16 and 43 (°C)
ST	Between 16 and 38 (°C)
N	Between 16 and 32 (°C)
SN	Between 10 and 32 (°C)

## Display Panel



**ORANGE LAMP:** When the “Super Freezing” operation is on (thermostat dial is in 5 position), the orange lamp will turn on.

**GREEN LAMP:** When the appliance is connected to the power supply, the green lamp on the display panel will turn on automatically.

**RED LAMP:** When the freezer compartment is not cold enough, the red lamp will turn on. Set the thermostat dial to 5 position (“Super Freeze”) until the red lamp is off. After you get the cold condition you must position to previous position. Check the frozen foods. And if the foods gets thaw, remember to consume them in a short period of time.

### Turning On The Appliance

Once the appliance has been connected to the power supply make sure that the RED lamp is on. Then turn the freezer thermostat dial to position 5 “SUPER FREEZING” until the red lamp is off (Note that; for best internal temperature the indicator in the freezer thermostat should be positioned between 2 and 4.)

- **When you first switch on the appliance, for starting a suitable cooling, the appliance should work 24 hours continuously until it cools down to sufficient temperature.**
- **In this time do not open the door so often and place a lot of food inside the appliance.**
- **If the unit is switched off or unplugged, you must allow at least 5 minutes before restarting or re-plugged the unit in order not to damage the compressor.**



## Ice Tray

- Fill the ice tray with water and place in freezer compartment.
- After the water completely turned into ice, you can twist the tray as shown below to get the ice cube.



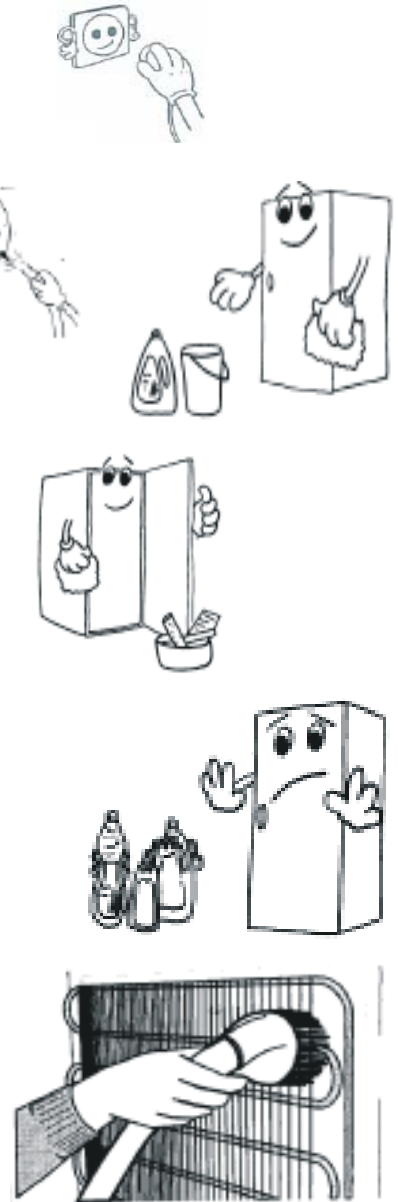
## PART- 3. ARRANGING FOOD IN THE APPLIANCE

- The use of freezer is, storing of deep-frozen or frozen food for long periods of time and making ice cubes.
- Do not put fresh and warm food with frozen food side by side as it can thaw the frozen food.
- While freezing fresh food (i.e. meat, fish and mincemeat) divide them in parts you will use in one time.
- For storing the frozen food; the instructions shown on frozen food packages should always be followed carefully and if no information is provided food should not be stored for more than 3 months from the purchased date.
- When buying frozen food ensure that these have been frozen at suitable temperatures and that the packing is intact.
- Frozen food should be transported in appropriate containers to maintain the quality of the food and should be returned to the freezing surfaces of the unit in the shortest possible time.
- If a package of frozen food shows the sign of humidity and abnormal swelling it is probable that it has been previously stored at an unsuitable temperature and that the contents have deteriorated.
- The storage life of frozen food depends on the room temperature, thermostat setting, how often the door is opened, the type of food and the length of time required to transport the product from the shop to your home. Always follow the instructions printed on the package and never exceed the maximum storage life indicated.
- **While freezing food;** Maximum amount of fresh food (in kg) that can be frozen in 24 hours is indicated on the appliance label.
- For optimum appliance performance to reach maximum freezing capacity, turn the thermostat knob to position max 24 hours before placing fresh food in the freezer.

- After placing fresh food in the freezer, 24 hours on max position is generally sufficient, After 24 hours, don not need to set the thermostat knob to position max.
- **Attention;** In order to save energy, When freezing small amounts of food, don not need to set the thermostat knob to position max.
- Use the fast freezing shelf to freeze home cooking (and the food which is wanted to freeze) more quickly because of the freezing room's greater freezing power. Fast freezing shelves are the middle drawers of the freezer compartment (see in page 12)

## **PART- 4. CLEANING AND MAINTENANCE**

- Disconnect unit from the power supply before cleaning.
- Do not clean the appliance by pouring water.
- The freezer compartment should be cleaned periodically using a solution of bicarbonate of soda and lukewarm water
- Clean the accessories separately with soap and water. Do not clean them in the washing machine.
- Do not use abrasive products, detergents or soaps. After washing, rinse with clean water and dry carefully. When the cleaning operations have been completed reconnect the plug of the unit with dry hands.
- You should clean the condenser (back of the appliance) with broom once a year in order to provide energy saving and increase the productivity.

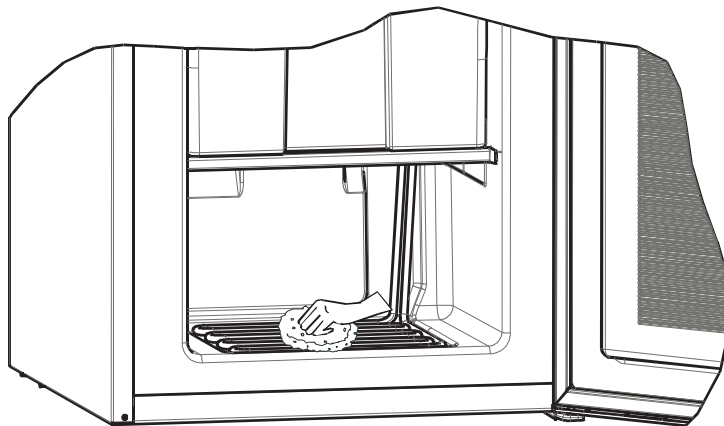


**THE POWER SUPPLY MUST BE DISCONNECTED.**

## Defrosting the Freezer compartment

### Freezer defrost process

- Small amounts of frost will accumulate inside the freezer depending upon the length of time during which the door is left open or the amount of moisture introduced. It is essential to ensure that no frost or ice is allowed to form at places where it will affect the close fitting of the door seal. This might allow air to penetrate the cabinet, thus encouraging continuous running of the compressor. Thin frost formation is quite soft and can be removed with a brush or plastic scraper. Do not use metal or sharp scrapers, mechanical devices or other means to accelerate the defrosting process. Remove all dislodged frost from the cabinet floor. For the removal of thin frost it is not necessary to switch off the appliance.
- For the removal of heavy ice deposits disconnect the appliance from the mains supply and empty the contents into cardboard boxes and wrap in thick blankets or layers of paper to keep them cold. Defrosting will be most effective if carried out when the freezer is nearly empty, and it should be carried out as quickly as possible to prevent undue increase in temperature of the contents.
- Do not use metal or sharp scrapers, mechanical devices or other means to accelerate the defrosting process. An increase in temperature of frozen food packages during defrosting will shorten the storage life. Provided that the contents are well wrapped and placed in a cool area they should keep for several hours.



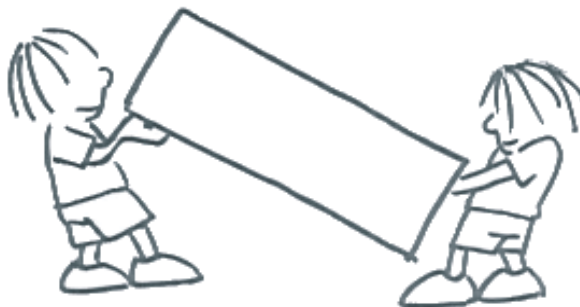
- Dry the inside of the compartment with a sponge or a clean cloth.
- To accelerate the defrosting process place one or more basins of warm water in the freezer compartment.
- Examine the contents when replacing them in the freezer and if some of the packages have thawed out it should be eaten within 24 hours or be cooked and re-frozen.
- After defrosting has finished clean the inside with a solution of warm water with a little bicarbonate of soda and then dry thoroughly. Wash all removable parts in the same way and reassemble. Reconnect the appliance to the mains supply and leave for 2 to 3 hours on setting number 5 before introducing the food back into the freezer.

## **PART- 5.**

# **TRANSPORTATION AND CHANGING OF INSTALLATION POSITION**

### **Transportation and Changing of Installation Position**

- The original packages and foamed polystyrene (PS) can be concealed if required.
- In transportation the appliance should be tied with a wide stripe or a strong rope. The rules written on the corrugated box must be applied while transporting.
- Before transporting or changing old installation position, all the moving objects (ie,shelves,crisper...) should be taken out or fixed with bands in order to prevent the shake.



### **Changing of Door Opening Direction (For some models)**

In case you need to change door-opening direction, please consult the domestic after sales service.

## **PART- 6. BEFORE CALLING YOUR AFTER SALES SERVICE**

If your appliance is not working properly, it may be a minor problem, therefore check the following, before calling an electrician to save time and money.

### **What to do if your appliance does not operate;**

#### **Check that;**

- There is no power,
- The general switch in your home is disconnected,
- The thermostat setting is on « 0 » position,
- The socket is not sufficient. To check this, plug in another appliance that you know which is working into the same socket.

### **What to do if your appliance performs poorly;**

#### **Check that;**

- You have not overloaded the appliance,
- The refrigerator and freezer thermostat settings is “1” position (if so set the thermostat dial suitable value)
- The doors are closed perfectly,
- There is no dust on the condenser,
- There is enough place at the rear and side walls.

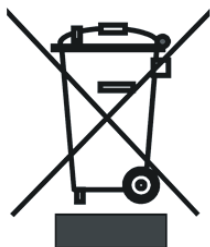
### **If there is noise;**

The cooling gas which circulates in the cooling circuit may make a slight noise (bubbling sound) even when the compressor is not running. Do not worry this is quite normal. If these sounds are different check that;

- The appliance is well levelled
- Nothing is touching the rear.
- The stuffs on the appliance are vibrating.

### **Recommendations**

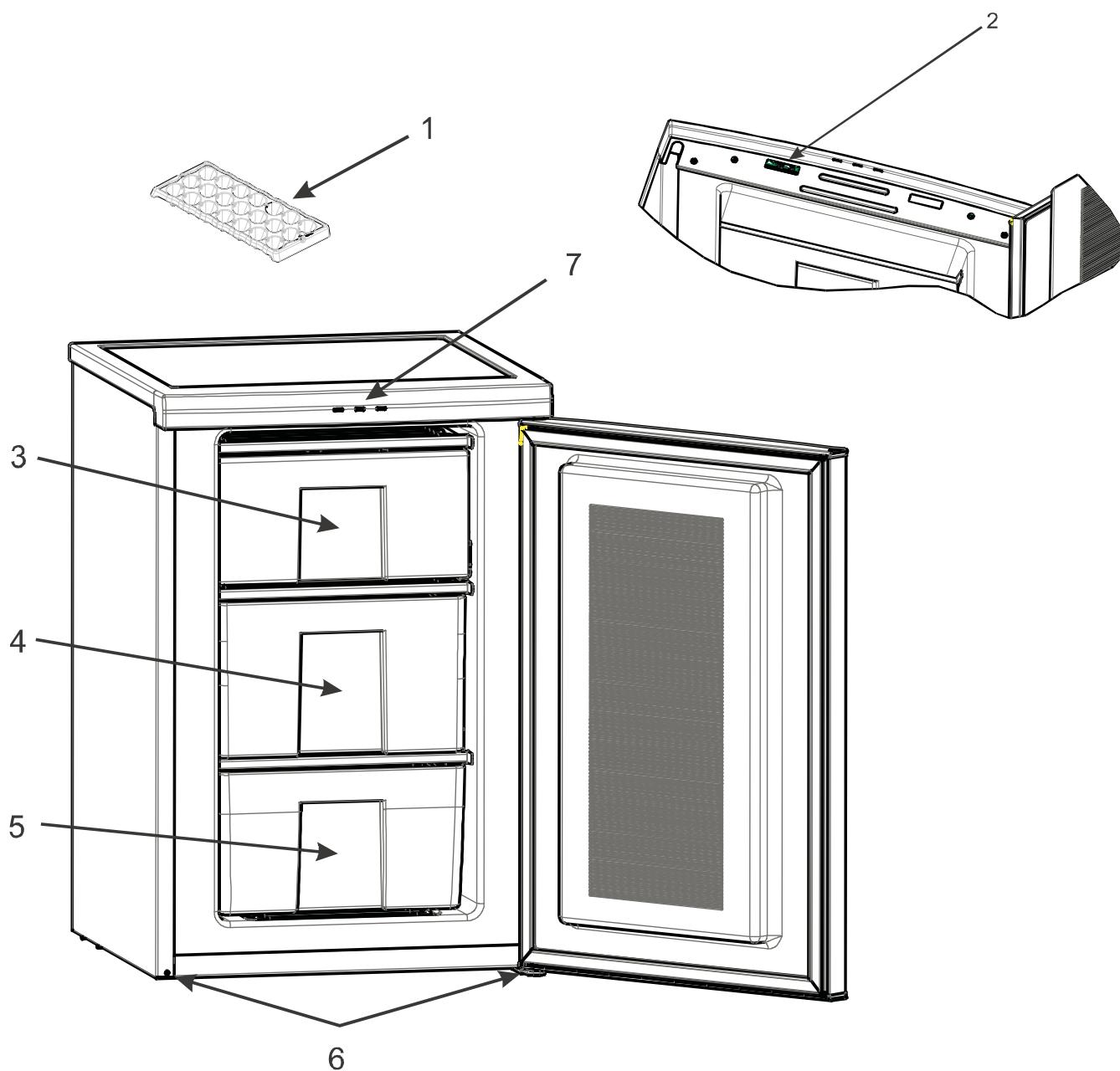
- If the appliance is not used for long time (for example during the summer holidays) unplug and clean the appliance and leave the door open to prevent the formation of mildew and smell.
- To stop the appliance completely, unplug from main socket (for cleaning and when the doors are left open)



Please ask your municipal authority about the disposal of the WEEE for the reuse, recycle and recovery purposes.

## PART-7.

# THE PARTS OF THE APPLIANCE AND THE COMPARTMENT



This presentation is only for information about the parts of the appliance.  
Parts may vary according to the appliance model.

- 1) ICE TRAY
- 2) FREEZER THERMOSTAT DIAL
- 3) FREEZER ROOM COVER
- 4) FAST FREEZER COMP. DRAWER

- 5) FREEZER COMP. BOTTOM DRAWER
- 6) LEVELLING FOOT
- 7) DISPLAY PANEL

## PART - 8.

# ELECTRICAL CONNECTION (UK ONLY)

For your safety please read the following information

**Warning: This appliance must be earthed.**

This appliance operates from 220-240 volts and should be protected by a 13 amp fuse in the plug.

The appliance is supplied with a standard 13 amp 3-pin mains plug fitted with a 13-amp fuse. Should the fuse require replacement, it must be replaced with a fuse rated at 13 amp and approved to BS1362.

If the mains plug which is fitted is unsuitable for the socket outlet in your home or is removed for any other reason, please follow the instructions below on how to wire a 13 amp 3 pin plug..

### How to wire a 13 amp plug.

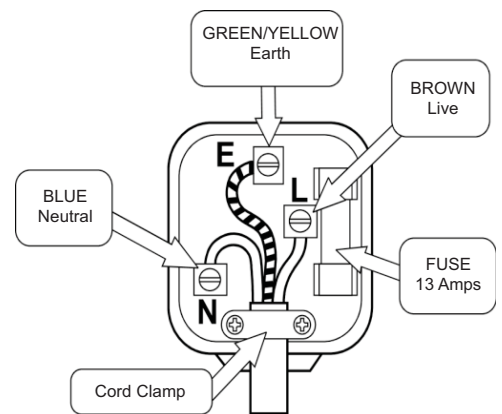
Important

The wires in the mains lead on this appliance are coloured in accordance with the following code:

Green and Yellow - Earth

Blue – Neutral

Brown – Live



As the colours may not correspond with the markings identifying the terminals in your plug proceed as follows.

The green and yellow wire must be connected to the terminal in the plug which is marked with the letter E or with the earth symbol  $\frac{1}{\equiv}$  or coloured green and yellow.

The blue wire must be connected to the terminal marked N.

The brown wire must be connected to the terminal marked L.

You must make sure the lead is firmly secured under the cord clamp.

# Inhalt

<b>BEVOR SIE DAS GERÄT BENUTZEN .....</b>	<b>15</b>
Sicherheitshinweise .....	15
Empfehlungen .....	16
Gerät aufstellen und einschalten .....	17
Vor dem Einschalten .....	17
<b>VERSCHIEDENE FUNKTIONEN UND MÖGLICHKEITEN .....</b>	<b>18</b>
Thermostat einstellen .....	18
Anzeigelampen .....	19
Einschalten des Geräts .....	19
Eisschale .....	20
<b>LEBENSMITTEL IN DEN GEFRIERSCHRANK LEGEN .....</b>	<b>20</b>
<b>REINIGUNG UND WARTUNG .....</b>	<b>21</b>
Gefrierraum abtauen .....	22
<b>TRANSPORTIEREN UND AUFSTELLORT .....</b>	<b>22</b>
Türanschlag wechseln .....	22
<b>BEVOR SIE DEN KUNDENDIENST RUFEN .....</b>	<b>23</b>
<b>DIE TEILE DES GERÄTES UND DIE FÄCHER .....</b>	<b>24</b>



# TEIL- 1. BEVOR SIE DAS GERÄT BENUTZEN

## Sicherheitshinweise

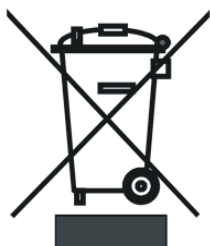
- Dieses Modell enthält das Kühlmittel R600a (Isobutan). Dieses natürliche Gas ist zwar sehr umweltfreundlich, jedoch auch brennbar. Achten Sie beim Transportieren und Aufstellen des Geräts darauf, dass die Komponenten des Kältekreislaufs nicht beschädigt werden. Sollten Schäden auftreten, vermeiden Sie offene Flammen oder Zündquellen, und belüften Sie den Raum, in dem das Gerät aufgestellt ist, für einige Minuten.
- **Warnhinweis:** Die Be- und Entlüftungsöffnungen am Gerätegehäuse bzw. an den Einbauvorrichtungen dürfen auf keinen Fall abgedeckt werden.
- Verwenden Sie keine mechanischen Geräte oder Hilfsmittel, um das Abtauen zu beschleunigen.
- Verwenden Sie keine elektrischen Geräte im Gefrierraum.
- Wenn Sie ein altes Kühlgerät, das mit Schnapp- oder Riegelschloss ausgerüstet ist, durch dieses Gerät ersetzen: Zerstören oder entfernen Sie das Schloss, um zu verhindern, dass spielende Kinder sich selbst einsperren und in Lebensgefahr geraten.
- Alte Kühlschränke und Gefriergeräte enthalten Isolier- und Kühlmittel, die sachgerecht entsorgt werden müssen. Ihre Altgeräte sollten Sie grundsätzlich durch Ihr regionales Entsorgungsunternehmen entsorgen lassen. Wenn Sie fragen dazu haben, wenden Sie sich an Ihre zuständige Behörde oder an Ihren Händler. Sorgen Sie dafür, dass die Leitungen Ihres Altgerätes vor der Abholung durch das Entsorgungsunternehmen nicht beschädigt werden.

## WICHTIGER HINWEIS:

Lesen Sie bitte diese Bedienungsanleitung, bevor Sie das Gerät aufstellen und einschalten. Der Hersteller haftet nicht für Schäden, die durch unsachgemäße Aufstellung und Bedienung entstehen (siehe Bedienungsanleitung).

## Konformitätserklärung

- Die Klimaklasse Tropen steht lt. den Normen TS EN ISO 15502 für Umgebungstemperaturen zwischen 16°C und 43°C
- Die Konstruktion des Geräts entspricht den Normen E N1 55 02 , IE C6 03 35 -1 / IEC60335-2-24, 2004/108/EC.



Fragen Sie bitte Ihre Stadtverwaltung über die Entsorgung von WEEE für Wiederverwendung, Recycling und Recovery-Zwecke.

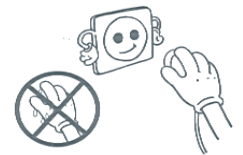
## Empfehlungen

**Warnung:** Benutzen Sie keine mechanischen Hilfsmittel oder andere Mittel zur Beschleunigung des Abtauvorgangs. Setzen Sie keinerlei Elektrogeräte im Inneren des Gerätes ein. Halten Sie die Belüftungsöffnungen des Gerätes frei. Beschädigen Sie nicht den Kühlkreislauf des Gerätes.

- Verwenden Sie keine Adapter oder Abzweige, da Überhitzungen oder Brände entstehen könnten.
- Verwenden Sie keine alten, verschlissenen Netzkabel.
- Achten Sie darauf, dass die Kabel weder verdreht noch geknickt werden.

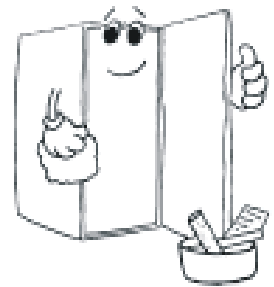


- Sorgen Sie dafür, dass keine Kinder mit dem Gerät spielen. Kinder dürfen **AUF KEINEN FALL** auf Schubladen/Fächern sitzen oder sich an die Tür hängen.
- Verwenden Sie keine spitzen Metallgegenstände zum Entfernen von Eis im Gefrierraum. Andernfalls könnte der Kältekreislauf irreparabel be-schädigt werden. Verwenden Sie den mitgelieferten Kunststoff-schaber.
- Ziehen Sie den Netzstecker auf keinen Fall mit feuchten Händen ab.
- Legen Sie keine Behälter (z.B. Glasflaschen oder Blechbehälter) mit Flüssigkeiten in den Gefrierschrank, insbesondere wenn diese kohlen-säurehaltig sind, da die Behälter beim Einfrieren platzen könnten.
- Flaschen mit hochprozentigem Alkohol müssen gut verschlossen und senkrecht im Gerät aufgestellt werden.
- Vermeiden Sie jede Berührung der Kälteflächen, insbesondere mit feuchten Händen, da Sie sich Verbrennungen oder andere Verletzungen zuziehen könnten.
- Nehmen Sie nicht das Eis zu sich, das Sie aus dem Gefriergerät entfernt haben.
- Das Gerät ist nicht zur Nutzung durch Personen (einschließlich Kindern) vorgesehen, die über reduzierte körperliche Eignung, Wahrnehmung oder geistige Fähigkeiten, Mangel an Erfahrung und Wissen verfügen, sofern diese Personen nicht von einer verantwortlichen Person beaufsichtigt oder in der Verwendung des Gerätes unterwiesen wurden. Kinder sollten grundsätzlich beaufsichtigt werden, damit sie nicht mit dem Gerät spielen.
- Falls das Netzkabel beschädigt sein sollte, muss es vom Hersteller, einer seiner Serviceniederlassungen oder einer vom Hersteller empfohlenen Person ausgetauscht werden.



## Gerät aufstellen und einschalten

- Bevor Sie das Gerät an die Spannungsquelle anschließen, vergewissern Sie sich, dass die Spannungswerte auf dem Typenschild den Spannungswerten Ihrer elektrischen Hausanlage entsprechen.
- Dieses Gerät wird an 220-240V / 50 Hz Wechselstrom angeschlossen.
- Beim Aufstellen und Einschalten des Gerätes kann Ihnen auf Wunsch auch der Kundendienst behilflich sein.
- Das Gerät muss so aufgestellt sein, dass Sie jederzeit den Stecker abziehen können.
- Stecken Sie den Stecker in eine ordnungsgemäß geerdete Steckdose. Wenn die Steckdose nicht geerdet ist, wenden Sie sich an Ihren Elektriker.
- Der Hersteller haftet nicht für Schäden, die durch unsachgemäße Erdung entstehen (siehe Bedienungsanleitung).
- Das Gerät darf nach dem Aufstellen keiner direkten Sonneneinstrahlung ausgesetzt sein.
- Das Gerät darf nicht im Freien aufgestellt werden und darf keinem Regen ausgesetzt sein.
- Stellen Sie das Gerät an gut belüfteten Orten abseits von Wärmequellen auf. Das Gerät sollte mindestens in 50 cm Abstand zu Heizkörpern, Gas- oder Kohleöfen und mindestens in 5 cm Abstand zu Elektroherden aufgestellt werden.
- Über dem Gerät müssen Sie mindestens 15 cm Abstand einhalten.
- Sorgen Sie dafür, dass keine schweren Gegenstände auf dem Gerät platziert werden und dass sich keine Gegenstände auf dem Gerät ansammeln.
- Wenn das Gerät neben einem anderen Kühl- oder Gefriergerät aufgestellt wird, ist ein seitlicher Mindestabstand von 2 cm einzuhalten, um Schwitzwasserbildung zu vermeiden.
- Montieren Sie die Wandabstandhalter am oberen Teil des Kondensators (Riffelblech auf der Rückseite). Diese vermeiden ein Anlehnen des Gerätes an der Wand.
- Das Gerät muss eben und fest stehen. Unebenheiten des Untergrunds gleichen Sie mit den beiden Schraubfüßen an der Vorderkante aus.
- Für die Reinigung der Geräteaußenseite und der Zubehörteile für innen verwenden Sie milde Seifenlauge. Das Geräteinnere sollte mit einer Lösung aus Natriumbicarbonat und lauwarmem Wasser gereinigt werden. Nach dem Trocknen werden die Zubehörteile wieder eingesetzt.



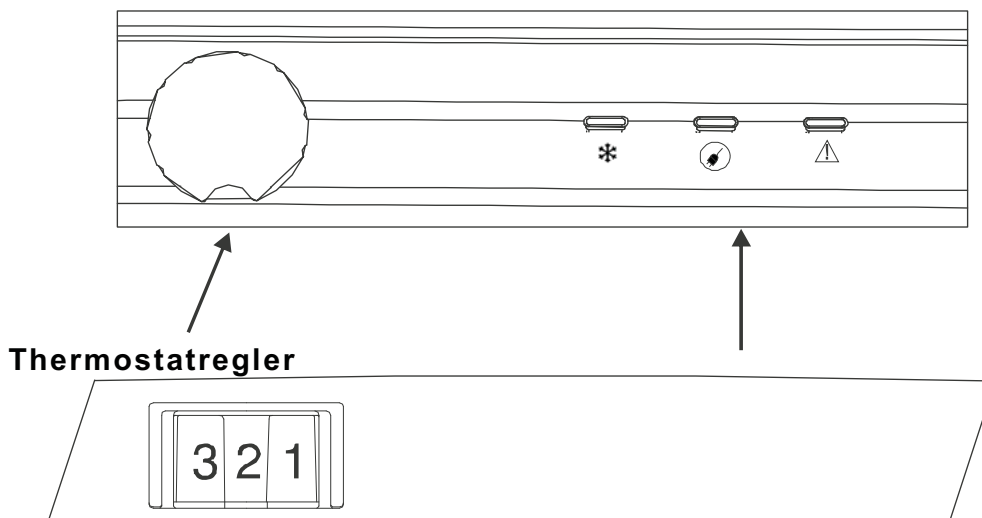
## Vor dem Einschalten

- Warten Sie drei Stunden, bevor Sie den Netzstecker in die Steckdose einstecken, um eine ordnungsgemäße Funktion zu gewährleisten.
- Beim ersten Einschalten des Gerätes werden Sie möglicherweise einen bestimmten Geruch bemerken. Dieser Geruch verschwindet, sobald das Gerät zu kühlen beginnt.



## VERSCHIEDENE FUNKTIONEN UND MÖGLICHKEITEN

### Thermostat einstellen



Das Thermostat regelt automatisch die Innentemperatur der einzelnen Fächer. Wenn Sie den Regler von Position „1“ auf „5“ drehen, erhalten Sie tiefere Temperaturen.

### Thermostat-Einstellungen für den Gefrierschrank

- 0** : In dieser Position ist das Thermostat geschlossen, und die Kühlung ist ausgeschaltet.
- 1 – 2** : Für die Kurzzeitlagerung von Lebensmitteln im Gefrierraum stellen Sie den Regler auf die Position zwischen Minimum und mittlerer Stellung.
- 3 – 4** : Für die Langzeitlagerung von Lebensmitteln im Gefrierraum stellen Sie den Regler auf die mittlere Position.
- 5** : „**SUPER FROST**“ Zum Einfrieren von frischen Lebensmitteln. Das Gerät benötigt hierfür längere Zeit. Wenn das Gefriergut die Tielkühltemperatur erreicht hat, drehen Sie den Regler wieder auf die mittlere Position.

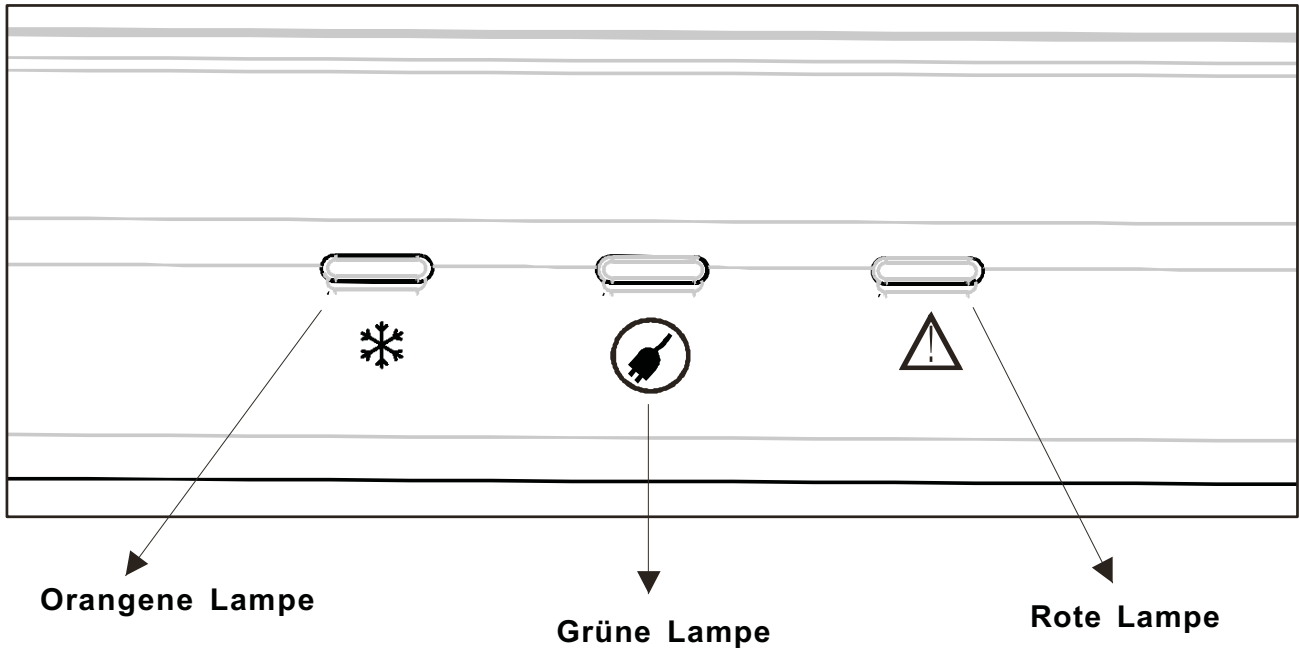
**Hinweis:** Die Temperatur im Gefrierraum wird von der Umgebungstemperatur und von der Temperatur des frisch eingelegten Gefrierguts beeinflusst. Sie ist außerdem davon abhängig, wie oft Sie die Tür öffnen. Ändern Sie bei Bedarf die Thermostat-Einstellung.

### Falls Ihr Kühlgerät nicht richtig kühlen sollte:

- Ihr Kühlgerät wurde gemäß seiner Klimaklasse zum Einsatz bei bestimmten Umgebungstemperaturen entwickelt; entsprechende Angaben finden Sie auf dem Typenschild. Wenn Sie das Kühlgerät bei Umgebungstemperaturen außerhalb des empfohlenen Bereiches betreiben, kann die Kühlleistung darunter leiden.

<i>Klimaklasse</i>	<i>Umgebungstemperatur (°C)</i>
<b>T</b>	zwischen 16 und 43
<b>ST</b>	zwischen 16 und 38
<b>N</b>	zwischen 16 und 32
<b>SN</b>	zwischen 10 und 32

## Anzeigelampen



**ORANGENE LAMPE:** Wenn die Funktion „Super-Frost“ in Betrieb ist (Thermostatregler auf Position 5), leuchtet die orangene Lampe.

**GRÜNE LAMPE:** Wenn das Gerät an die Spannungsquelle angeschlossen ist, leuchtet die grüne Anzeigelampe.

**ROTE LAMPE:** Wenn der Gefrierraum nicht kalt genug ist, leuchtet die rote Lampe. Stellen Sie den Thermostatregler auf Position 5 („Super-Frost“), bis die rote Lampe erlischt. Wenn die Tielkühltemperatur erreicht ist, drehen Sie den Regler wieder auf die vorige Position. Überprüfen Sie das Gefriergut. Angetaute Lebensmittel sollten innerhalb kurzer Zeit aufgebraucht werden.

## Einschalten des Geräts

Wenn der Netzstecker an die Steckdose angeschlossen ist, vergewissern Sie sich, dass die ROTE Lampe leuchtet. Stellen Sie dann den Thermostatregler auf Position 5 „SUPER FROST“, bis die rote Lampe erlischt. (Beachten Sie bitte: Die günstigste Temperatureinstellung ist ein Wert zwischen 2 und 4 am Thermostat.)

- **Nach dem ersten Einschalten des Geräts auf die geeignete Kühltemperatur muss das Gerät etwa 24 Stunden in Betrieb sein, bis die ausreichende Kühltemperatur erreicht ist.**
- **Während dieser Zeit sollten Sie die Tür so wenig wie möglich öffnen, um Kühlgut in das Gerät zu legen.**
- **Wenn das Gerät ausgeschaltet oder der Stecker aus der Steckdose gezogen wird, warten Sie mindestens 5 Minuten, bevor Sie das Gerät erneut starten bzw. einstecken, damit der Kompressor nicht beschädigt wird.**

## Eisschale

- Eisschale nur zu Dreiviertel mit Wasser füllen und gefrieren lassen.
- Die Eiswürfel lösen sich aus der Schale durch Verwinden oder wenn die Eisschale kurze Zeit unter fließendes Wasser gehalten wird.



## TEIL- 3. LEBENSMITTEL IN DEN GEFRIERSCHRANK LEGEN

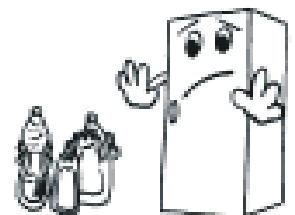
- Der Gefrierschrank eignet sich zur Langzeitlagerung von Tiefkühlkost bzw. Gefriergut und zur Eisbereitung.
- Frische oder warme Lebensmittel dürfen nicht mit gefrorenem Gut zusammengelegt werden. Dies könnte dadurch angetaut werden.
- Teilen Sie frische Lebensmittel (z.B. Fleisch, Fisch, Hackfleisch) vor dem Einfrieren in Portionen auf, die Sie auf einmal verwerten können.
- Beim Lagern von fertiger Tiefkühlkost sind die Angaben auf den Packungen stets zu befolgen. Wenn keine Informationen angegeben sind, sollten Sie die Lebensmittel höchstens 3 Monate ab Kaufdatum lagern.
- Wenn Sie Tiefkühlkost kaufen, vergewissern Sie sich stets, dass diese ordnungsgemäß gefroren ist und dass die Verpackung in einwandfreiem Zustand ist.
- Damit die Qualität erhalten bleibt, sollte die Tiefkühlkost in geeigneten Behältern transportiert und so schnell wie möglich in die Gefrierfächer des Gerätes eingelegt werden.
- Wenn die Verpackung der Tiefkühlkost Feuchtigkeit aufweist bzw. auffällig gewölbt ist, besteht die Möglichkeit, dass diese bereits unsachgemäß gelagert wurde und der Inhalt verdorben ist.
- Die Lagerdauer der Tiefkühlkost hängt von der Raumtemperatur, der Thermostat-Einstellung, der Art der Kost, der Transportzeit zwischen Laden und Ihrem Gefrierschrank und letztlich davon ab, wie oft Sie die Tür am Gerät öffnen. Befolgen Sie stets die Anweisungen auf der Verpackung, und überschreiten Sie niemals die angegebene maximale Lagerdauer.
- Verwenden Sie für die von Ihnen zubereiteten Speisen und für einzufrierende Lebensmittel stets das Schnellgefrierfach, das mit größerer Kälteleistung arbeitet. Das Schnellgefrierfach ist das mittlere Schubfach im Gefrierraum (siehe Seite 24).
- **Beim Einfrieren:** Beachten Sie die maximale Kapazität (in kg) an Lebensmitteln, die innerhalb 24 Stunden eingefroren werden können. Siehe Angaben auf dem Typenschild.

- Um die maximale Gefrierleistung zu erreichen, stellen Sie den Thermostatknopf 24 Stunden vor dem Einfrieren frischer Lebensmittel auf die Maximalposition ein.
- 24 Stunden bei Maximaleinstellung reichen gewöhnlich aus, um frische Lebensmittel komplett durchzukühlen. Nach Ablauf dieser Zeit können Sie den Thermostatknopf wieder wie zuvor einstellen.

**Tipp:** Beim Einfrieren kleiner Lebensmittelmengen müssen Sie den Thermostatknopf nicht in die Maximalposition bringen; das spart Energie.

## TEIL- 4. REINIGUNG UND WARTUNG

- Vor dem Reinigen ziehen Sie den Netzstecker aus der Steckdose.
- Das Gerät darf nicht mit Wasser begossen werden.
- Der Gefrierraum sollte regelmäßig mit einer Lösung aus Natriumbicarbonat und lauwarmem Wasser gereinigt werden.
- Reinigen Sie das Zubehör separat mit milder Seifenlauge. Diese Teile dürfen nicht in der Spülmaschine gereinigt werden.
- Verwenden Sie keine Reinigungsmittel oder Seifen, die Scheuerpartikel enthalten. Nach der Behandlung spülen Sie mit klarem Wasser nach und trocknen die Teile sorgfältig ab. Wenn die Reinigung beendet ist, stecken Sie den Netzstecker wieder mit trockenen Händen in die Steckdose ein.
- Reinigen Sie den Kondensator (Rückwand des Gerätes) einmal jährlich mit einem Besen, um eine bessere Leistung zu gewährleisten und Energie zu sparen.

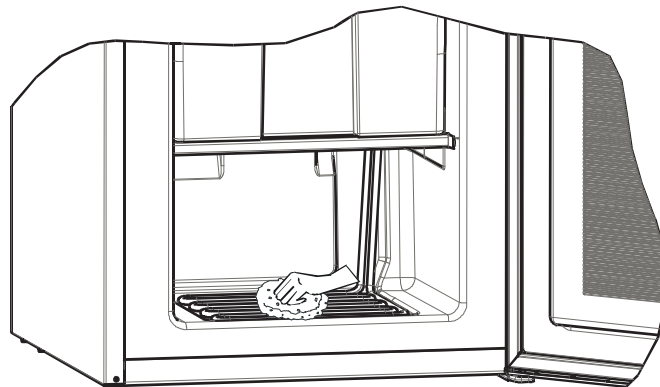


**ZIEHEN SIE DEN NETZSTECKER AUS DER STECKDOSE.**



## Gefrierraum abtauen

- Sie sollten den Gefrierraum regelmäßig von der Reifschicht befreien.
- Verwenden Sie dazu keine scharfen oder spitzen Metallgegenstände. Andernfalls könnte der Kältekreislauf irreparabel beschädigt werden. Verwenden Sie den mitgelieferten Kunststoffschaber.
- Wenn sich eine Reifschicht von mehr als 5 mm gebildet hat, müssen Sie abtauen.
- Vor dem Abtauen wickeln Sie das Gefriergut in Zeitungspapier ein und lagern es an einem kühlen Ort, um die Temperatur des Gefrierguts so lange wie möglich stabil zu halten.
- Um das Abtauen zu beschleunigen, stellen Sie eine oder mehrere Schüsseln mit warmem Wasser in den Gefrierraum.



- Reiben Sie den Gefrierraum mit einem Schwamm oder einem sauberen Tuch trocken.
- Wenn das Gerät abgetaut ist, legen Sie das Gefriergut wieder in den Gefrierschrank. Diese Lebensmittel sollten dann in kurzer Zeit aufgebraucht werden.

## **TEIL- 5. TRANSPORTIEREN UND AUFSTELLORT**

### Transportieren und Aufstellort wechseln

- Originalverpackung und Polystyrol-Material können nach Bedarf wieder angebracht werden.
- Beim Transport wird das Gerät mit Transportband oder starkem Tau festgezurr. Beim Transport müssen die Regeln beachtet werden, die auf dem Transportkarton angegeben sind.
- Vor dem Transportieren bzw. Wechseln des Aufstellortes werden alle herausnehmbaren Teile (Fächer, Frischhalteboxen usw.) herausgenommen bzw. mit Band fixiert, damit sie nicht im Gerät hin und her schlagen.



### Türanschlag wechseln (Bei bestimmten Modellen)

Wenn es erforderlich ist, dass die Tür des Gerätes zur anderen Seite hin öffnet, wenden Sie sich bitte an Ihren Kundendienst vor Ort.



## **TEIL- 6. BEVOR SIE DEN KUNDENDIENST RUFEN**

Wenn Ihr Gerät nicht ordnungsgemäß funktioniert, handelt es sich dabei möglicherweise um eine kleine Störung, die Sie selbst beheben können. Um Geld und Zeit zu sparen, sollten Sie daher die folgenden Punkte überprüfen, bevor Sie einen Elektriker rufen.

### **Wenn das Gerät nicht funktioniert:**

#### **Prüfen Sie, ob**

- Spannung anliegt.
- der Sicherungsschalter in Ihrem Sicherungskasten eingeschaltet ist.
- das Thermostat nicht auf Position „0“ gestellt ist.
- die Steckdose funktioniert. Um die Steckdose zu überprüfen, schließen Sie ein anderes Gerät, von dem Sie wissen, dass es funktioniert, an dieselbe Steckdose an.

### **Wenn das Gerät nur geringe Leistung bringt:**

#### **Prüfen Sie, ob**

- das Gerät überladen ist.
- das Thermostat für den Gefrierraum auf Position „1“ gestellt sind (in diesem Fall stellen Sie das Thermostat auf den geeigneten höheren Wert).
- die Türen einwandfrei geschlossen sind.
- der Kondensator staubfrei ist.
- ausreichender Abstand zu Rückwand und Seiten vorhanden ist.

### **Wenn das Gerät Geräusche macht**

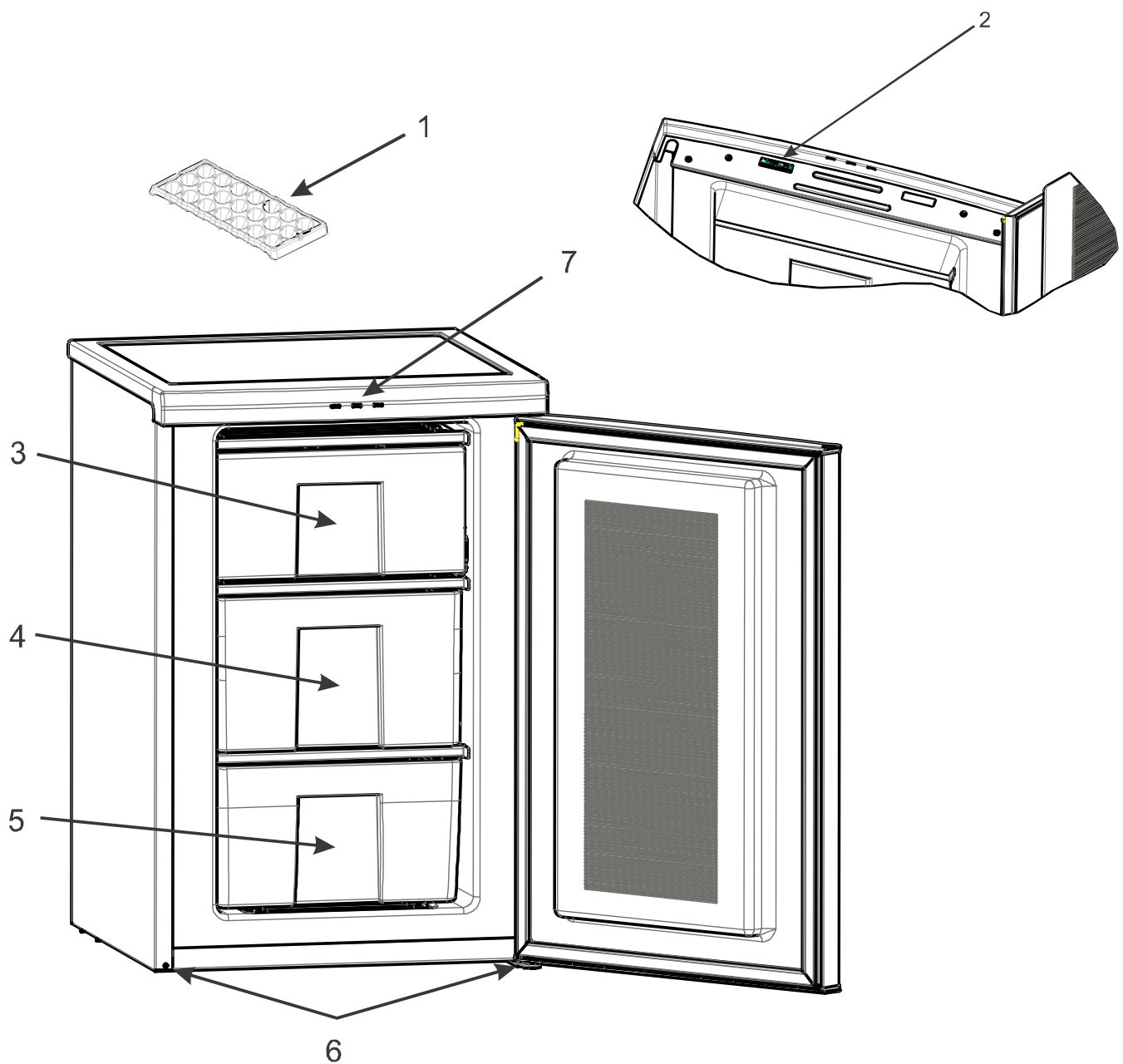
Das Kühlmittel, das im Kältekreislauf zirkuliert, macht möglicherweise leise Geräusche (Gluckergeräusche), auch wenn der Kompressor nicht läuft. Diese Geräusche sind völlig normal. Wenn allerdings ungewöhnliche Geräusche vorliegen, vergewissern Sie sich, dass

- das Gerät eben ausgerichtet ist.
- keine Gegenstände die Rückwand berühren.
- auf dem Gerät keine Gegenstände vibrieren.

### **Empfehlungen**

- Wenn das Gerät längere Zeit nicht benutzt wird (z.B. während der Sommerferien), ziehen Sie den Netzstecker aus der Steckdose, reinigen Sie das Gerät, und öffnen Sie die Tür, um Schimmel- und Geruchsbildung zu verhindern.
- Um das Gerät komplett auszuschalten, ziehen Sie den Netzstecker aus der Steckdose (während der Reinigung und wenn die Tür geöffnet bleiben soll).

## TEIL-7. DIE TEILE DES GERÄTES UND DIE FÄCHER



Diese Abbildung dient lediglich der Veranschaulichung.  
Die Teile und Komponenten können je nach Modell variieren.

- 1) EISSCHALE
- 2) THERMOSTATREGLER
- 3) GEFRIERRAUMABDECKUNG
- 4) SCHNELLGEFRIERFACH (SCHUB)
- 5) GEFRIERRAUM (UNTERES SCHUBFACH)
- 6) SCHRAUBFÜSSE
- 7) ANZEIGELAMPEN



